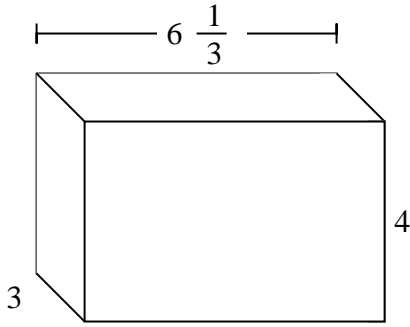


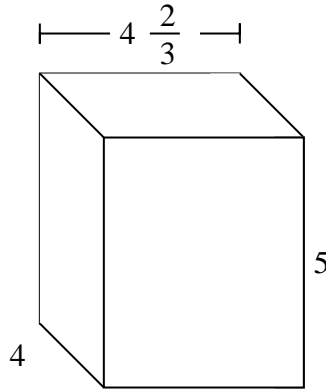


Fill each rectangular prism with cubes to determine the volume. Each prism's unit is measured in cm (not to scale).

Ex)



1)

Ex. **76 cm**

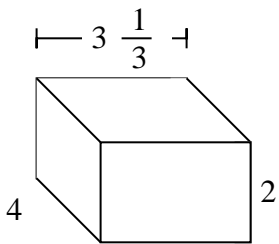
1. _____

2. _____

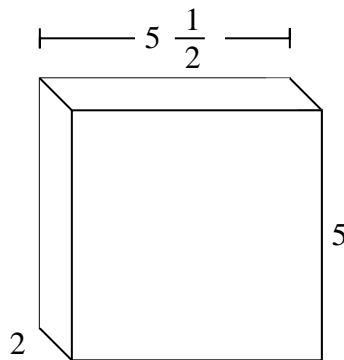
3. _____

4. _____

2)



3)

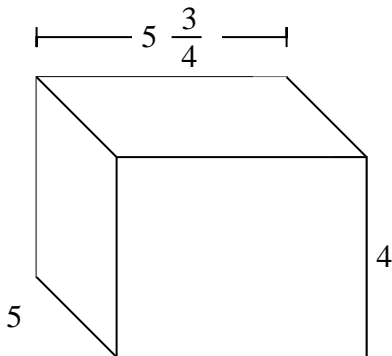


5. _____

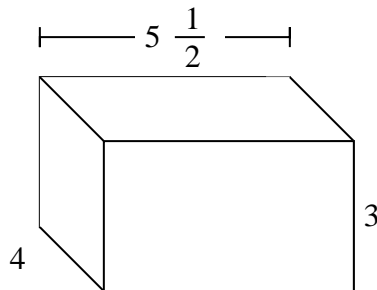
6. _____

7. _____

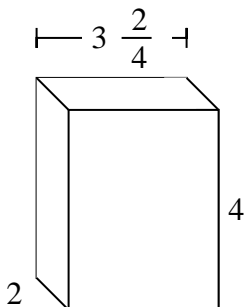
4)



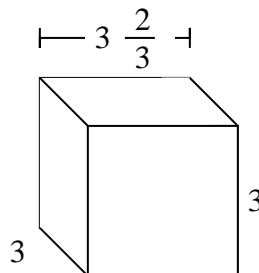
5)



6)

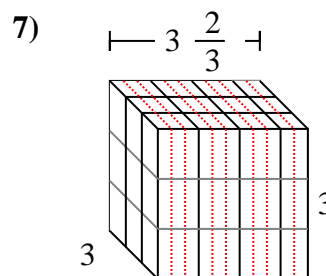
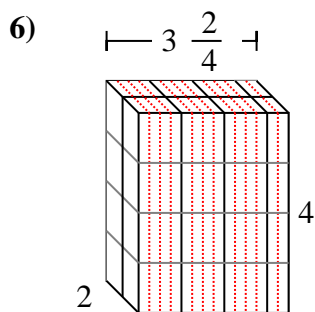
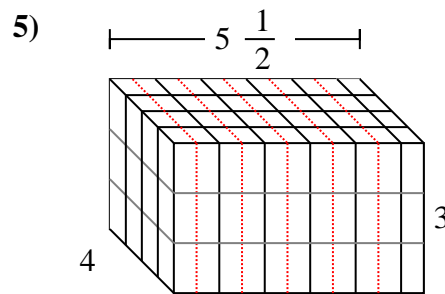
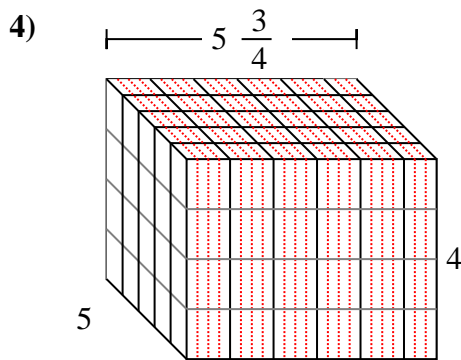
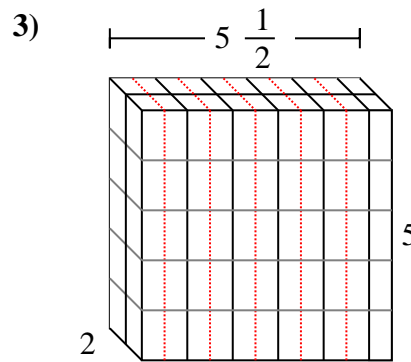
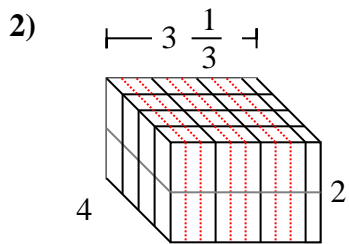
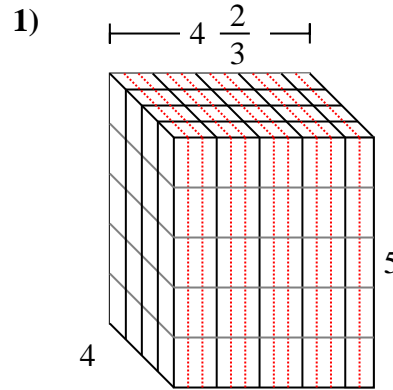
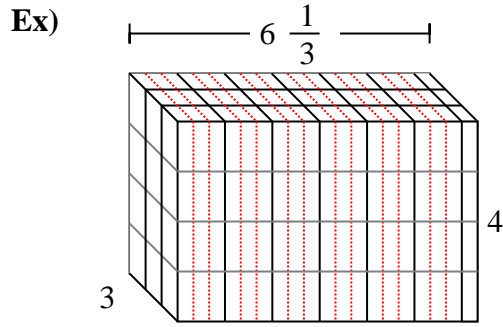


7)





Fill each rectangular prism with cubes to determine the volume. Each prism's unit is measured in cm (not to scale).

AnswersEx. 76 cm1. 93 1/3 cm2. 26 2/3 cm3. 55 cm4. 115 cm5. 66 cm6. 28 cm7. 33 cm