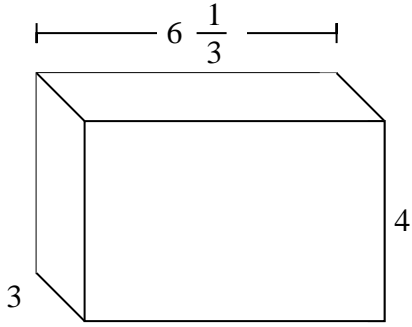


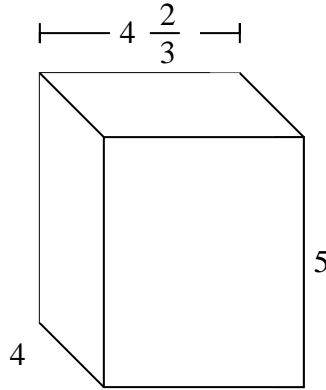


Fill each rectangular prism with cubes to determine the volume. Each prism's unit is measured in cm (not to scale).

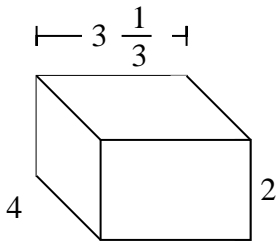
Ex)



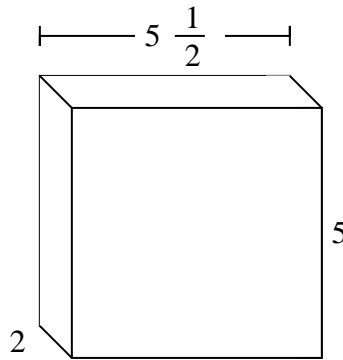
1)



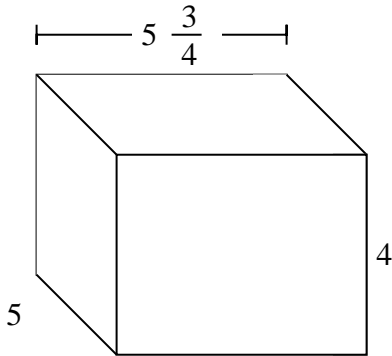
2)



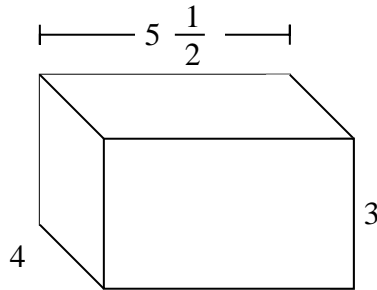
3)



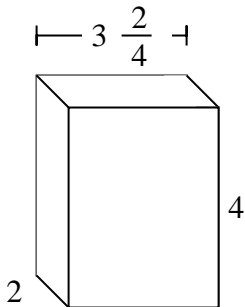
4)



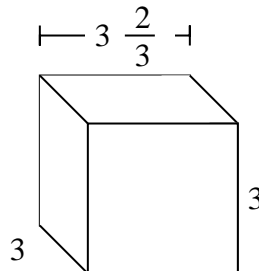
5)



6)



7)

AnswersEx. 76 cm

1. _____

2. _____

3. _____

4. _____

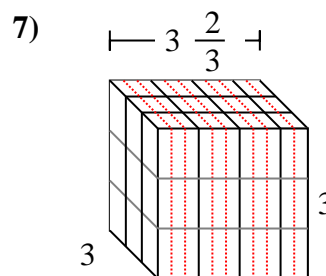
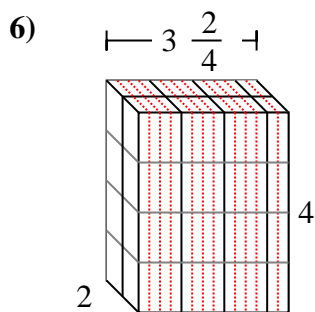
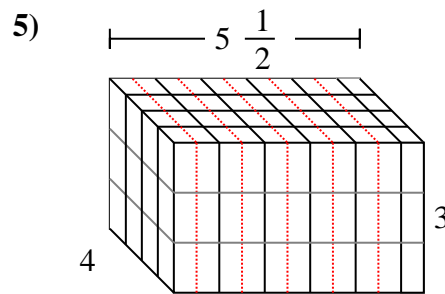
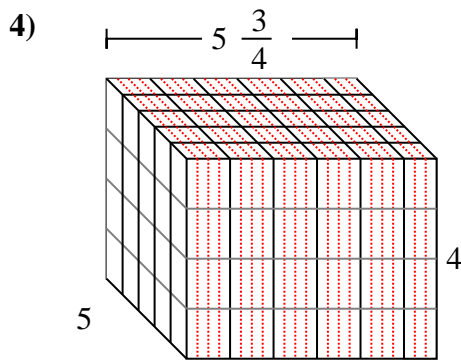
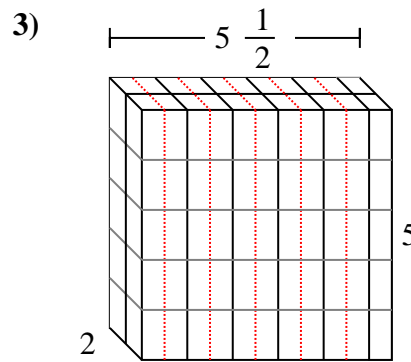
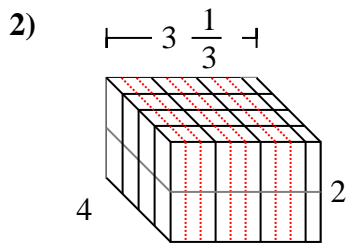
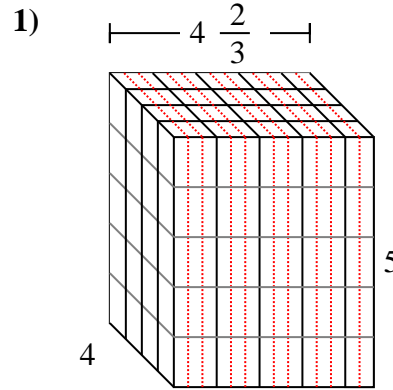
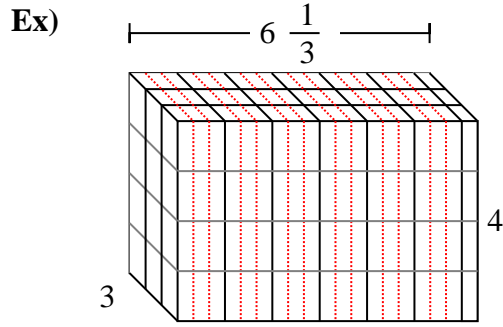
5. _____

6. _____

7. _____



Fill each rectangular prism with cubes to determine the volume. Each prism's unit is measured in cm (not to scale).

**Answers**Ex. 76 cm1. 93 1/3 cm2. 26 2/3 cm3. 55 cm4. 115 cm5. 66 cm6. 28 cm7. 33 cm