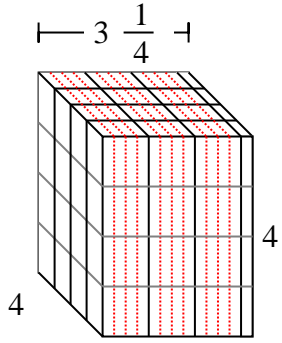


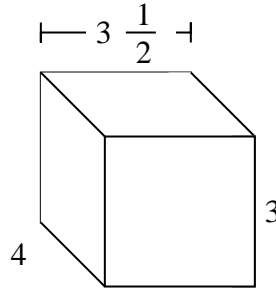


Fill each rectangular prism with cubes to determine the volume. Each prism's unit is measured in cm (not to scale).

Ex)



1)

**Answers**Ex. 52 cm

1. _____

2. _____

3. _____

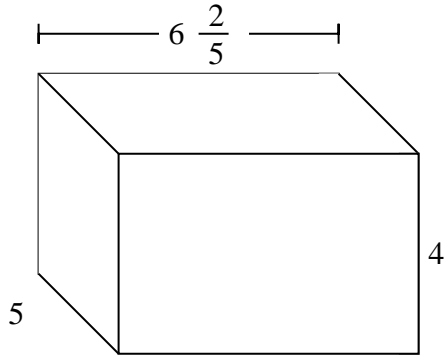
4. _____

5. _____

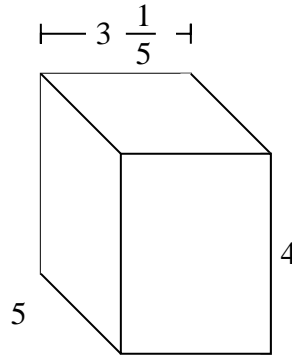
6. _____

7. _____

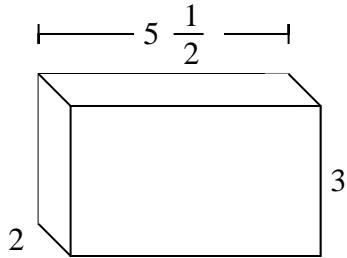
2)



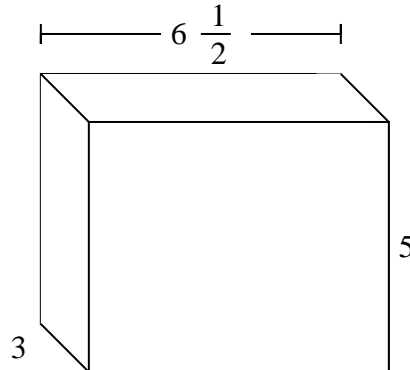
3)



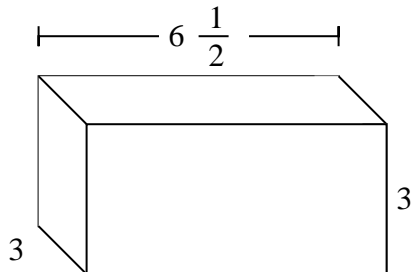
4)



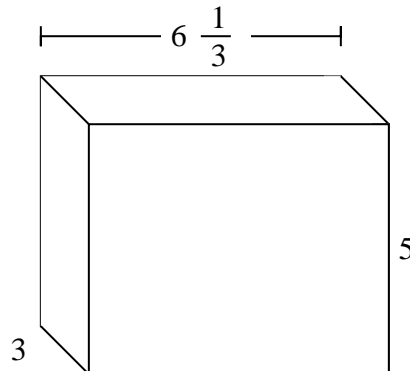
5)



6)



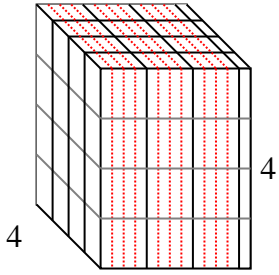
7)



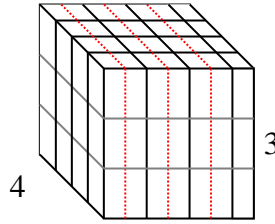


Fill each rectangular prism with cubes to determine the volume. Each prism's unit is measured in cm (not to scale).

Ex) $3 \frac{1}{4}$



1) $3 \frac{1}{2}$



Ex. 52 cm

1. 42 cm

2. 128 cm

3. 64 cm

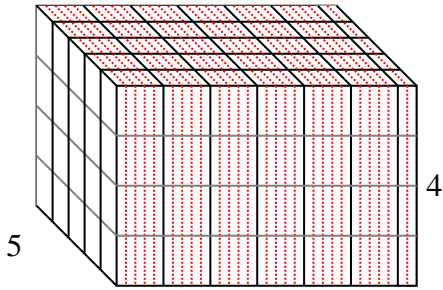
4. 33 cm

5. 97 1/2 cm

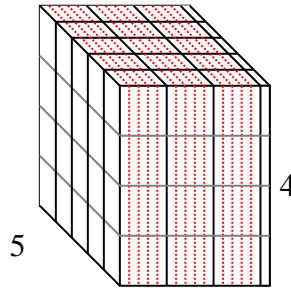
6. 58 1/2 cm

7. 95 cm

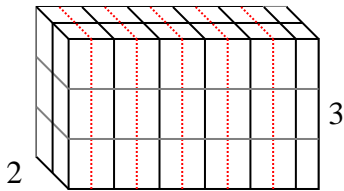
2) $6 \frac{2}{5}$



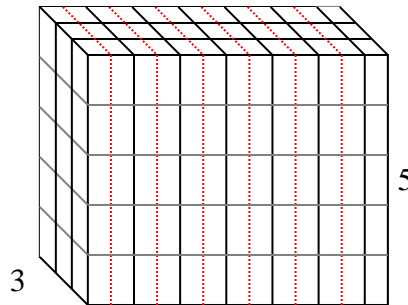
3) $3 \frac{1}{5}$



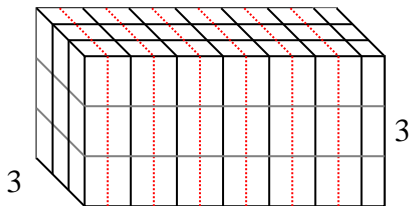
4) $5 \frac{1}{2}$



5) $6 \frac{1}{2}$



6) $6 \frac{1}{2}$



7) $6 \frac{1}{3}$

