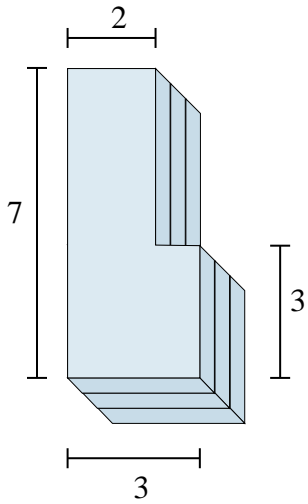




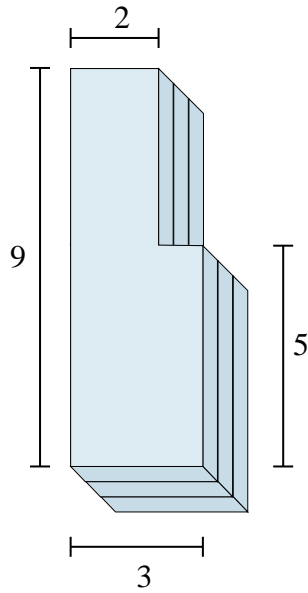
Find the total volume of each figure shown. Measured in cm (not to scale).

**Answers**

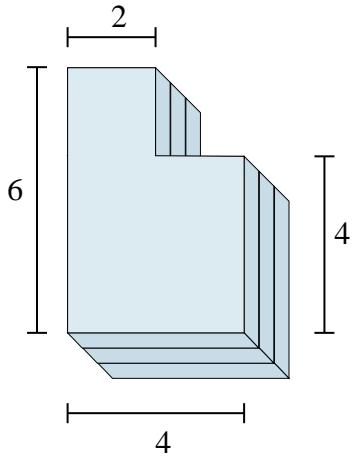
1)



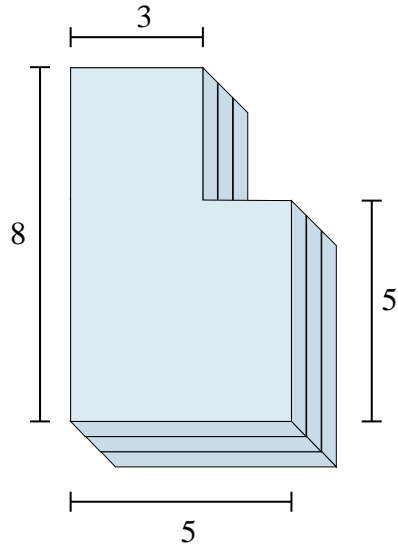
2)



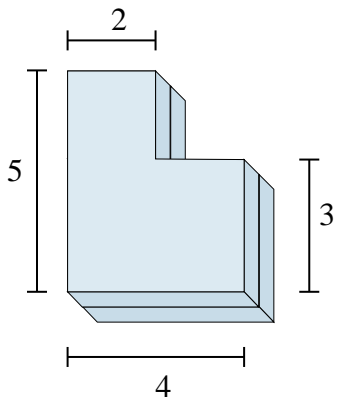
3)



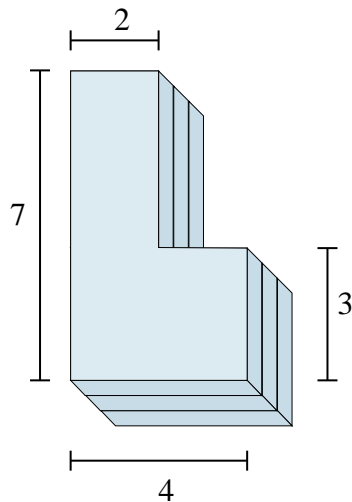
4)



5)



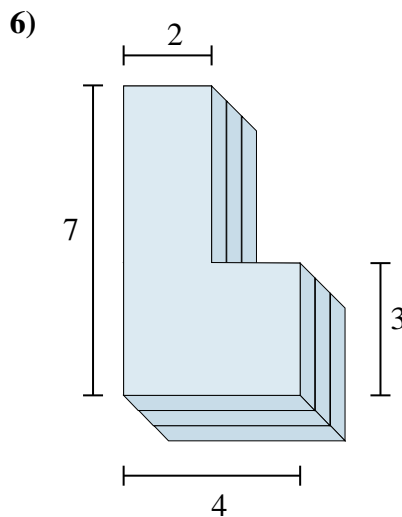
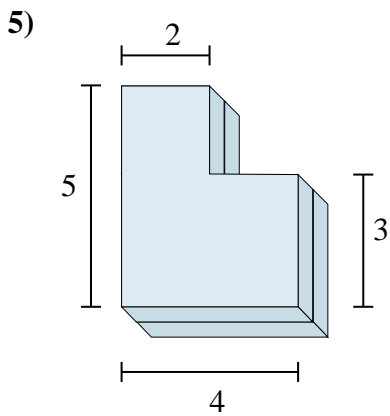
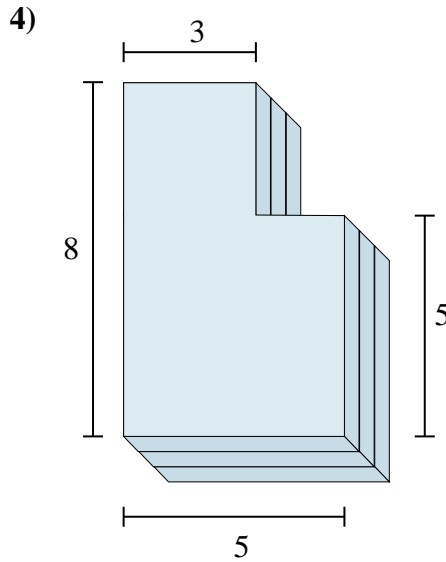
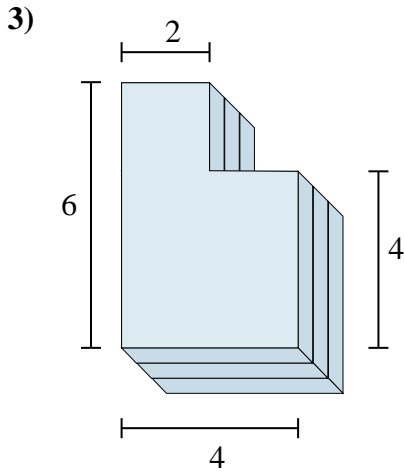
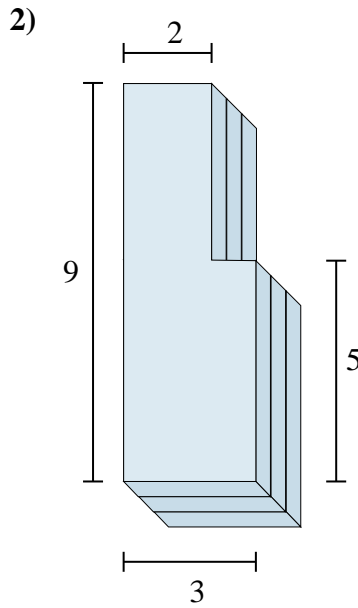
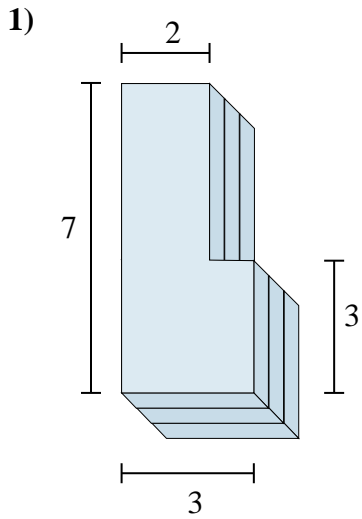
6)



- 1. \_\_\_\_\_
- 2. \_\_\_\_\_
- 3. \_\_\_\_\_
- 4. \_\_\_\_\_
- 5. \_\_\_\_\_
- 6. \_\_\_\_\_



Find the total volume of each figure shown. Measured in cm (not to scale).



Answers

1. 51 cm<sup>3</sup>

2. 69 cm<sup>3</sup>

3. 60 cm<sup>3</sup>

4. 102 cm<sup>3</sup>

5. 32 cm<sup>3</sup>

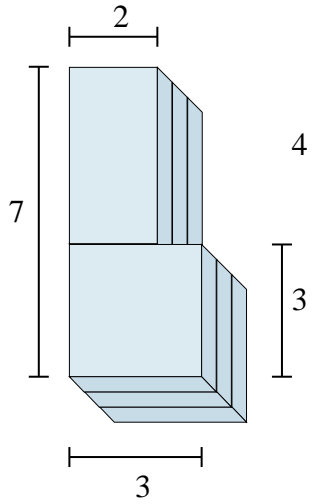
6. 60 cm<sup>3</sup>



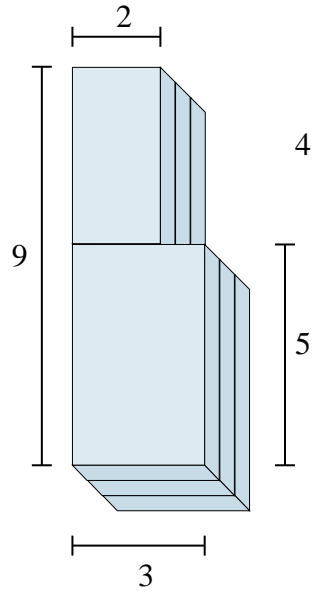
Find the total volume of each figure shown. Measured in cm (not to scale).

Answers

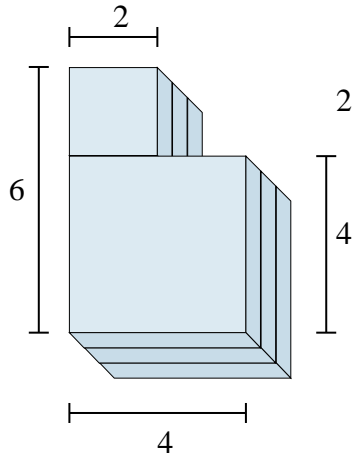
1)



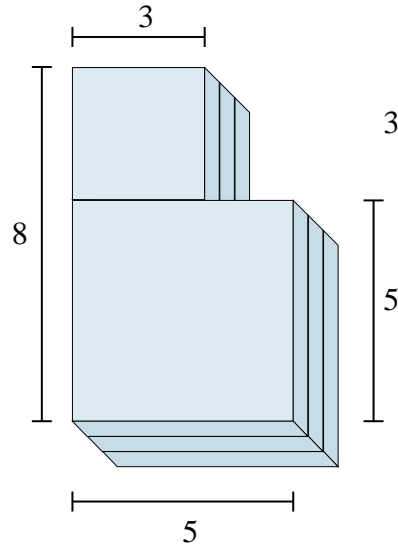
2)



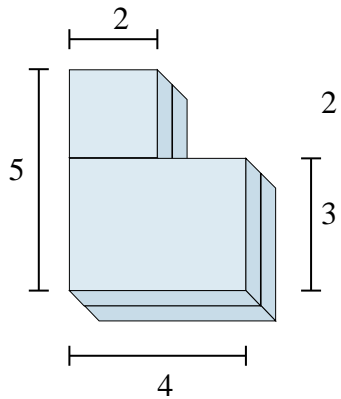
3)



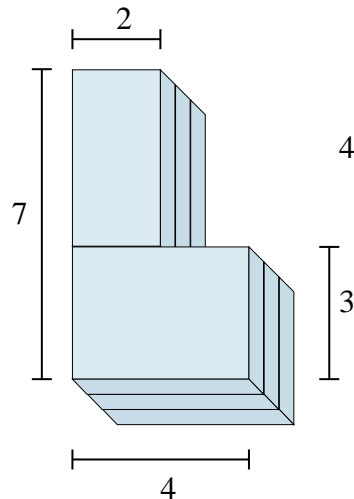
4)



5)



6)



1. \_\_\_\_\_
2. \_\_\_\_\_
3. \_\_\_\_\_
4. \_\_\_\_\_
5. \_\_\_\_\_
6. \_\_\_\_\_