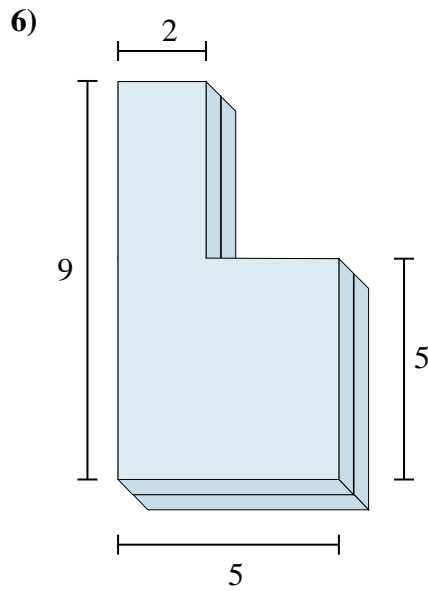
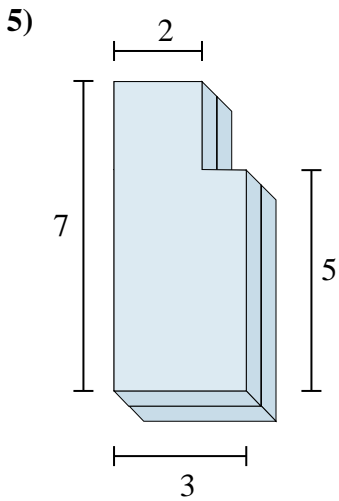
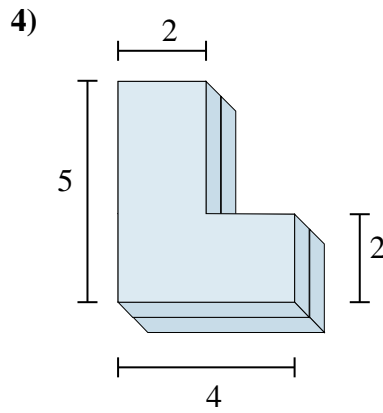
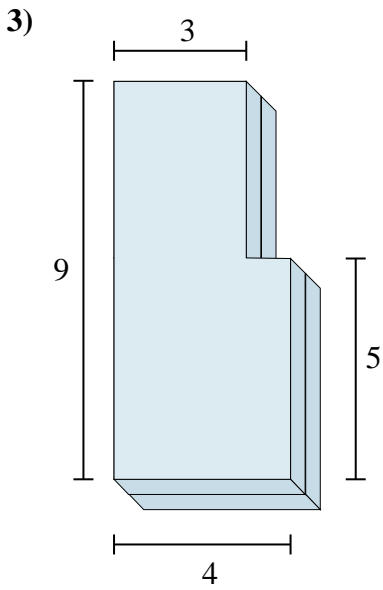
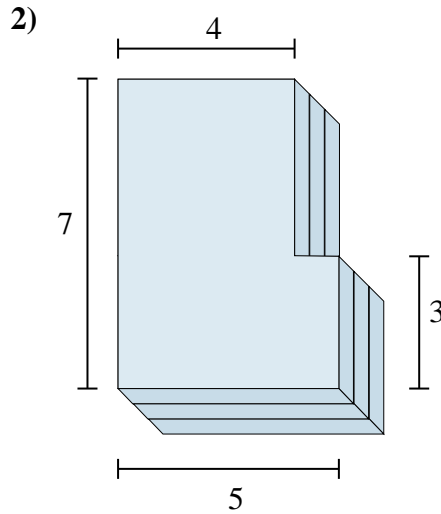
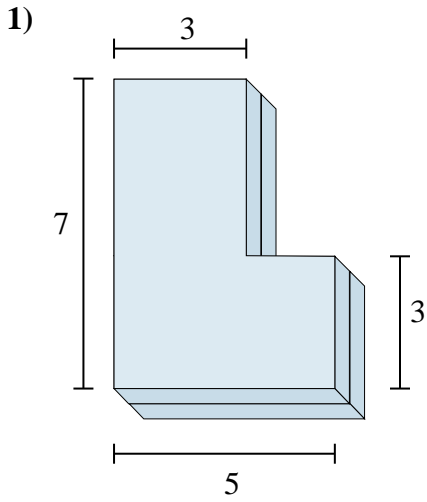




Find the total volume of each figure shown. Measured in cm (not to scale).

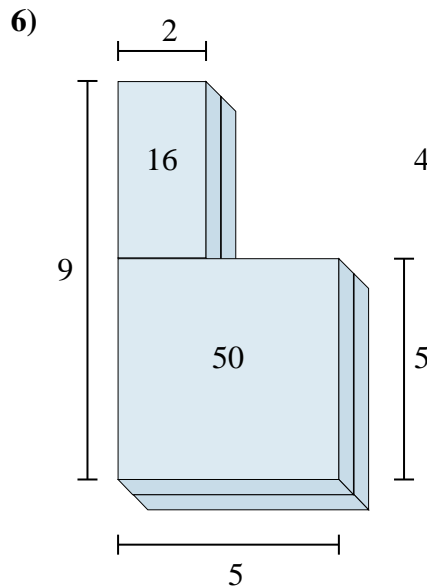
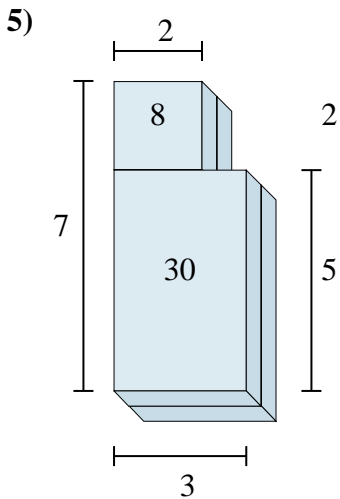
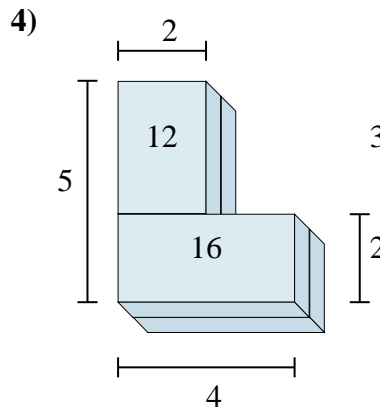
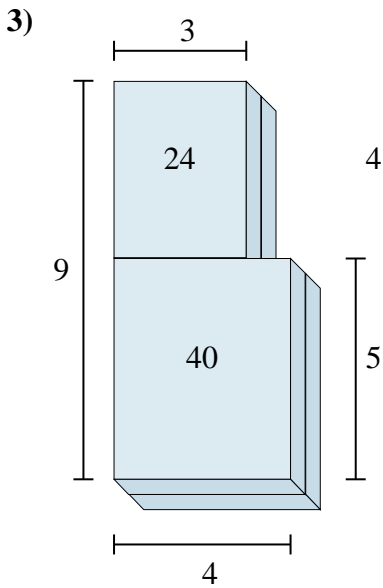
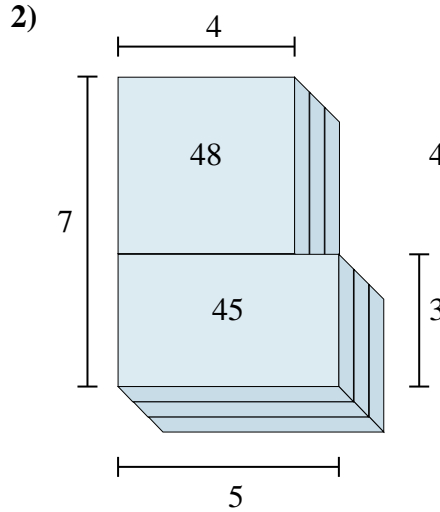
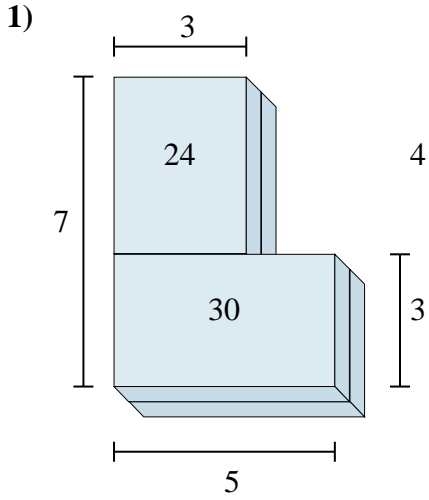
Answers



- 1. _____
- 2. _____
- 3. _____
- 4. _____
- 5. _____
- 6. _____



Find the total volume of each figure shown. Measured in cm (not to scale).



Answers

1. 54 cm³

2. 93 cm³

3. 64 cm³

4. 28 cm³

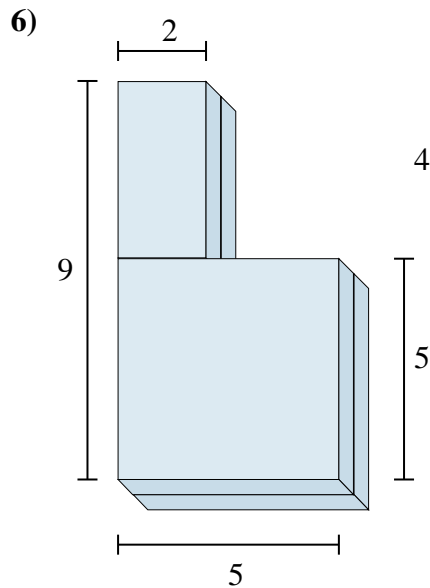
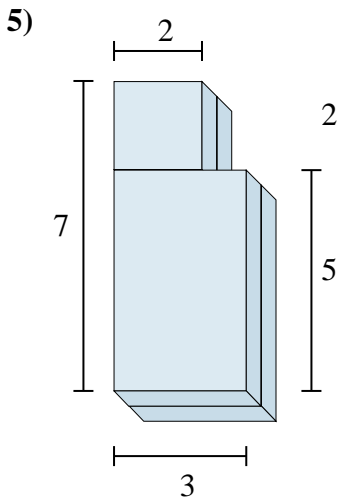
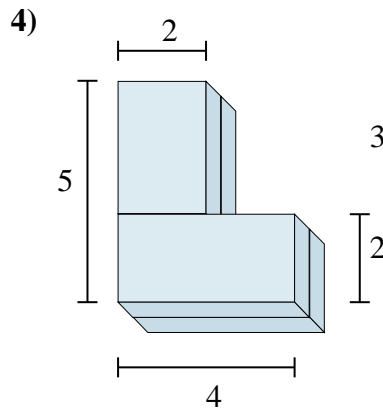
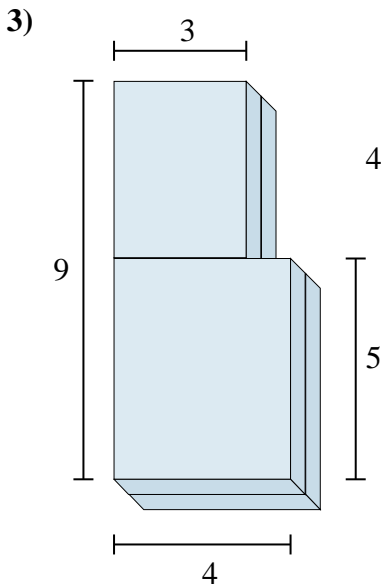
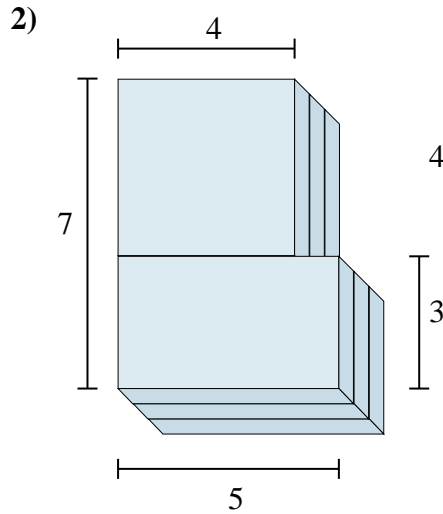
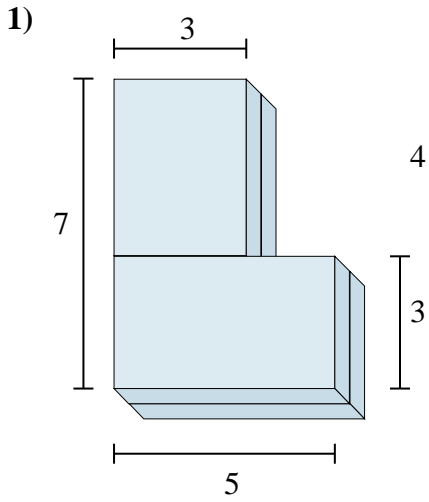
5. 38 cm³

6. 66 cm³



Find the total volume of each figure shown. Measured in cm (not to scale).

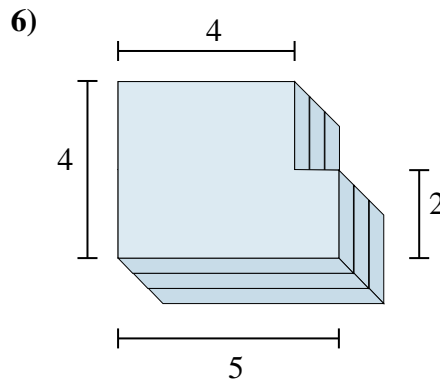
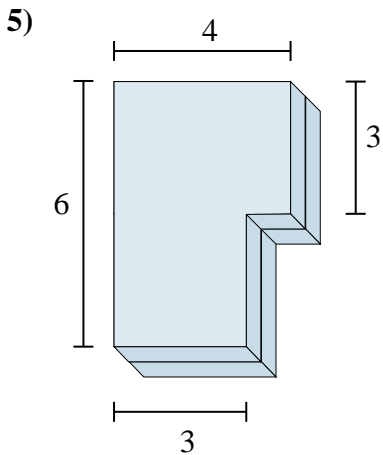
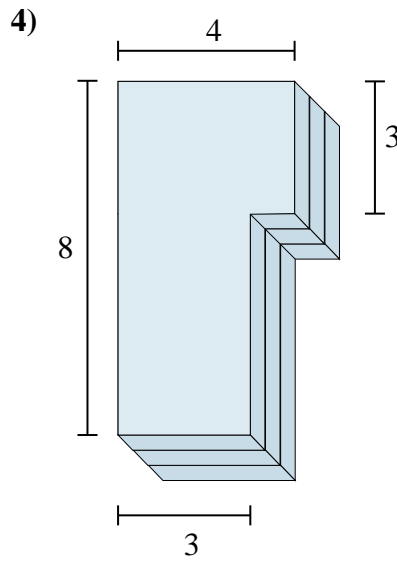
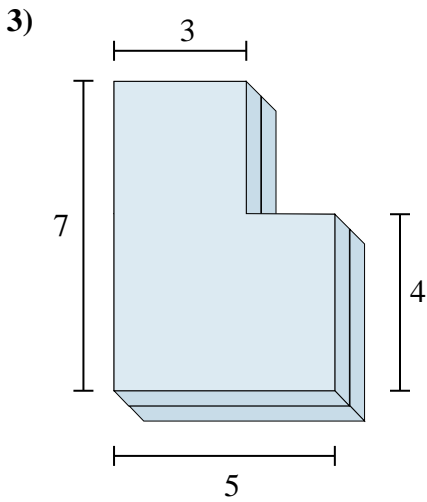
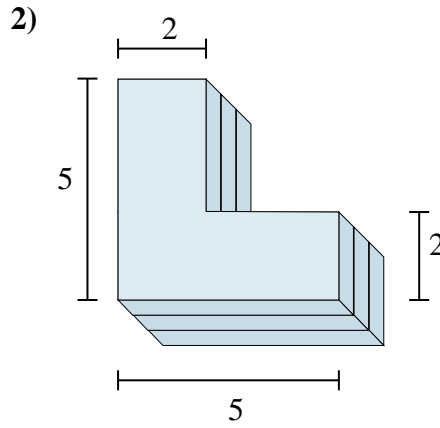
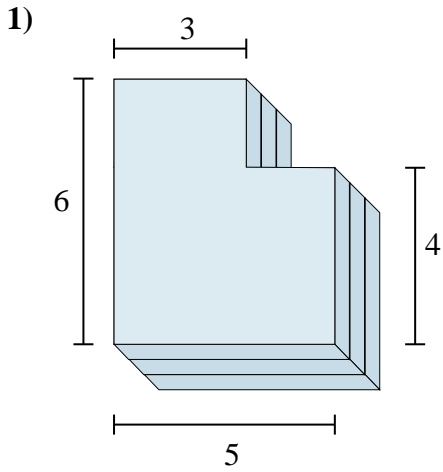
Answers



1. _____
2. _____
3. _____
4. _____
5. _____
6. _____



Find the total volume of each figure shown. Measured in cm (not to scale).



Answers

1. _____

2. _____

3. _____

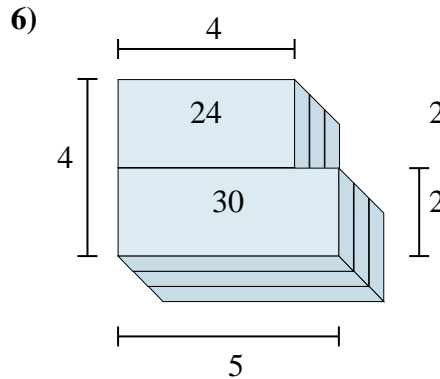
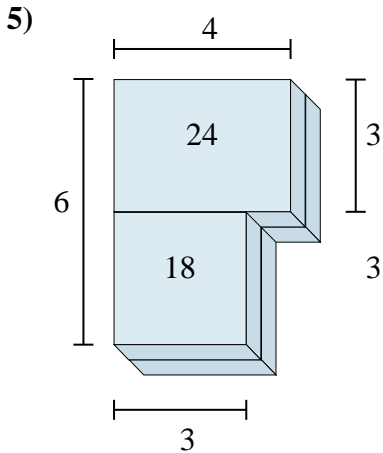
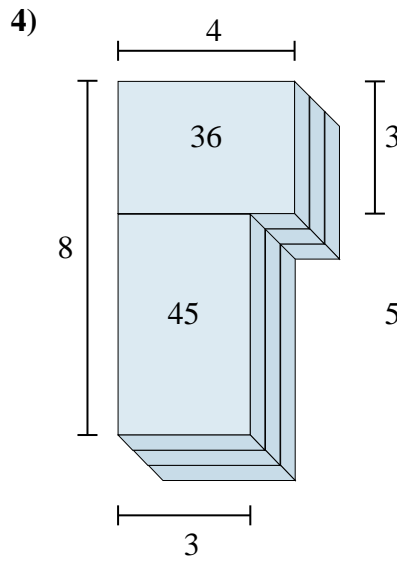
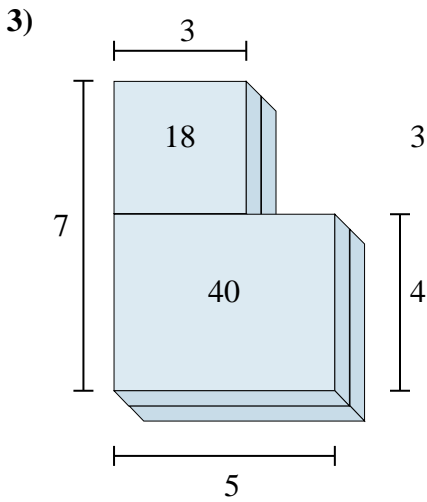
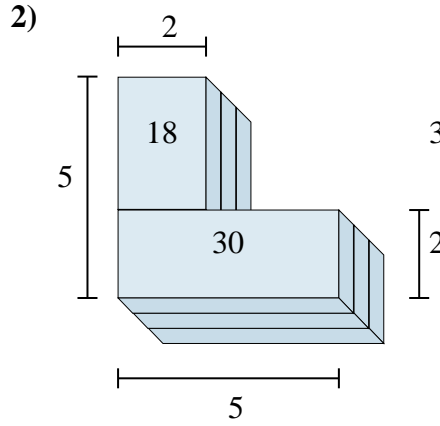
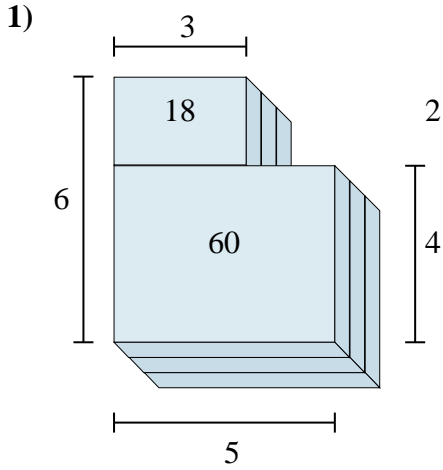
4. _____

5. _____

6. _____



Find the total volume of each figure shown. Measured in cm (not to scale).



Answers

1. 78 cm³

2. 48 cm³

3. 58 cm³

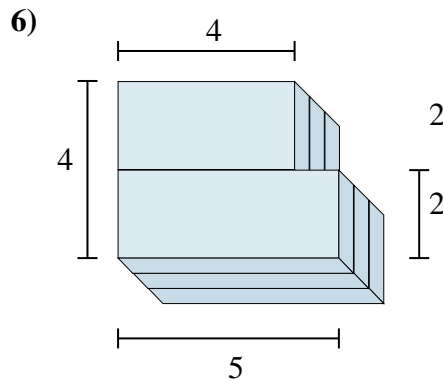
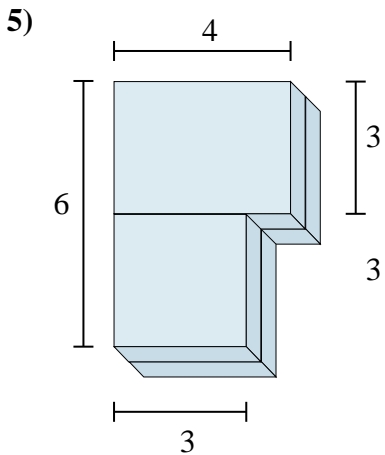
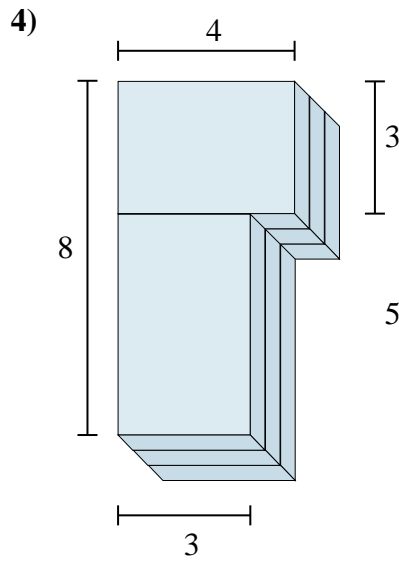
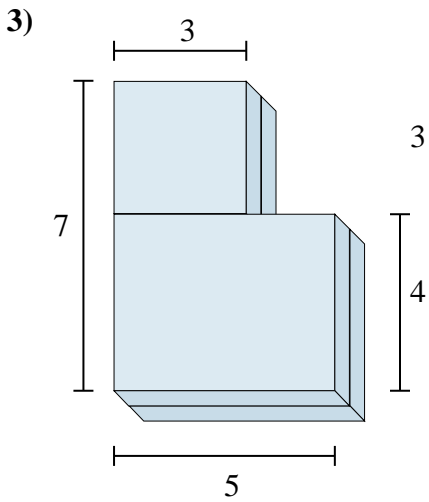
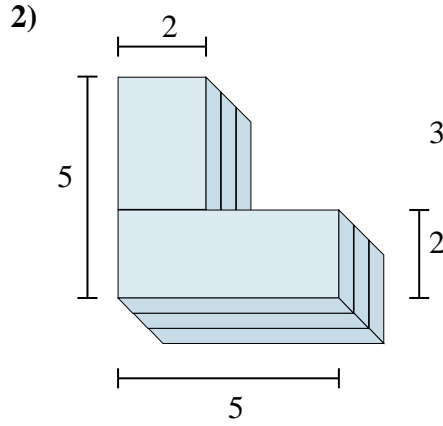
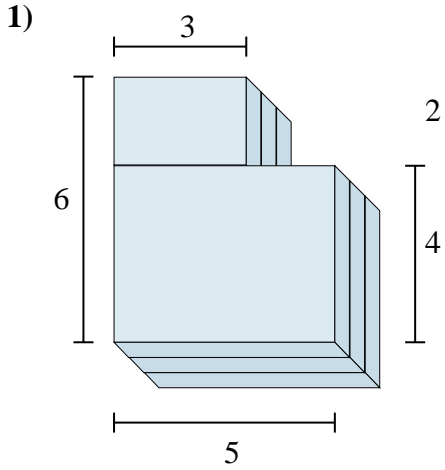
4. 81 cm³

5. 42 cm³

6. 54 cm³



Find the total volume of each figure shown. Measured in cm (not to scale).



Answers

1. _____

2. _____

3. _____

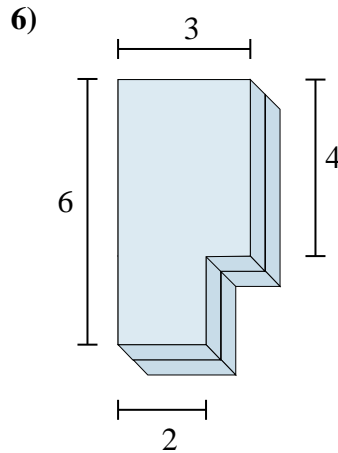
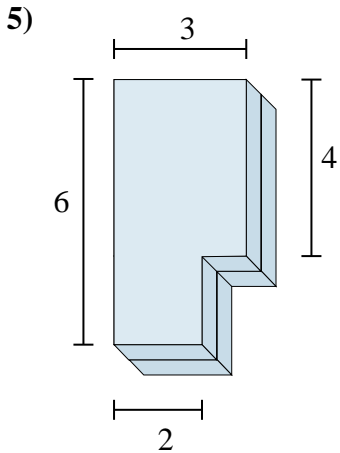
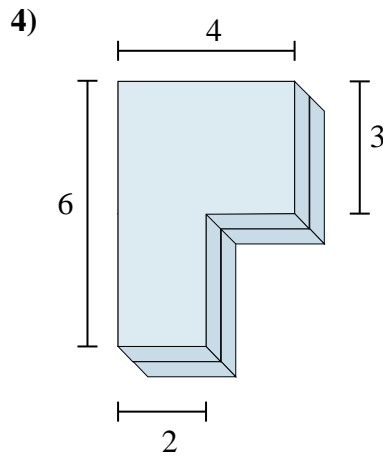
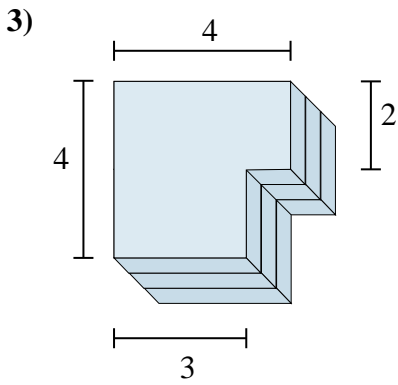
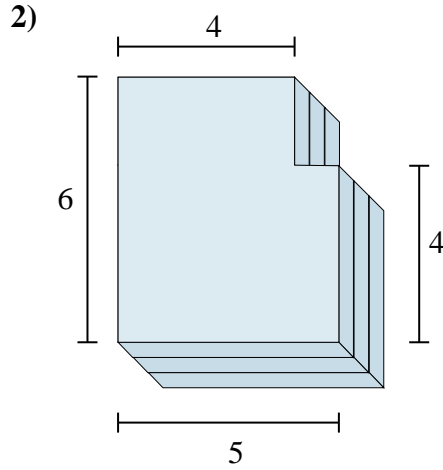
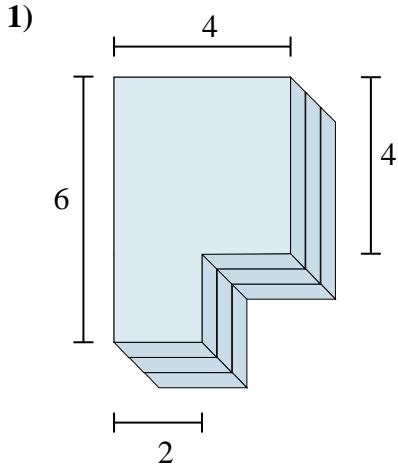
4. _____

5. _____

6. _____



Find the total volume of each figure shown. Measured in cm (not to scale).



Answers

1. _____

2. _____

3. _____

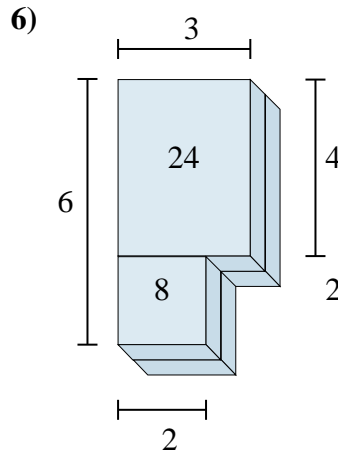
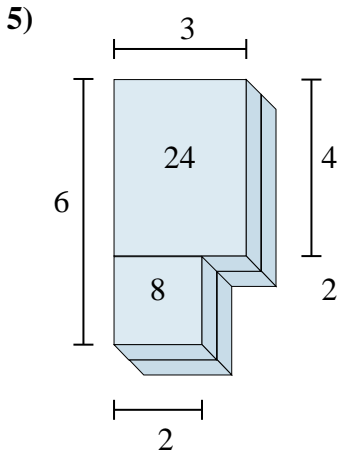
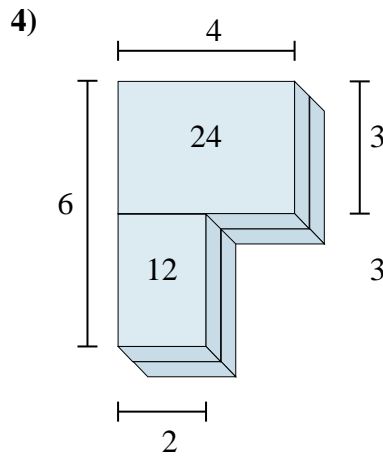
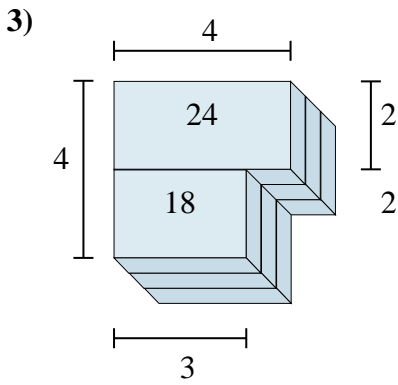
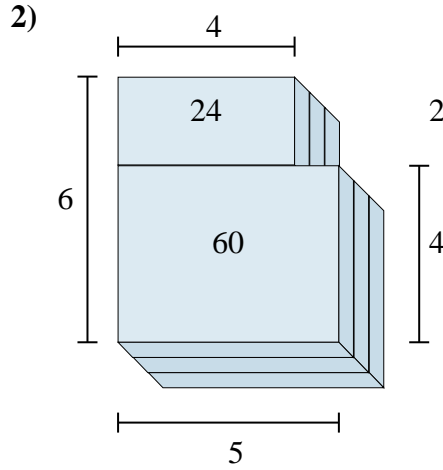
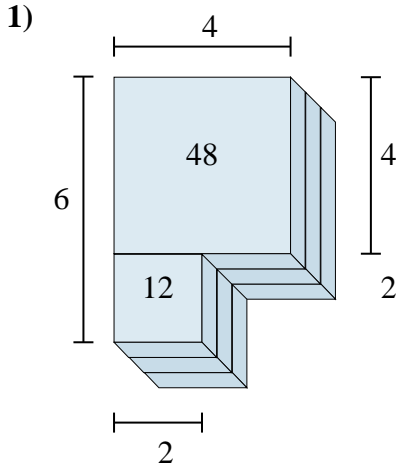
4. _____

5. _____

6. _____



Find the total volume of each figure shown. Measured in cm (not to scale).



Answers

1. 60 cm³

2. 84 cm³

3. 42 cm³

4. 36 cm³

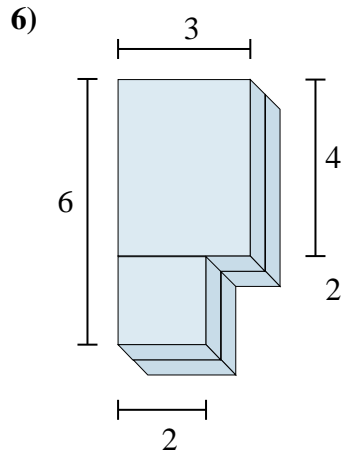
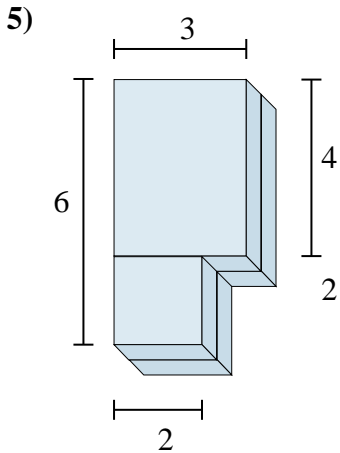
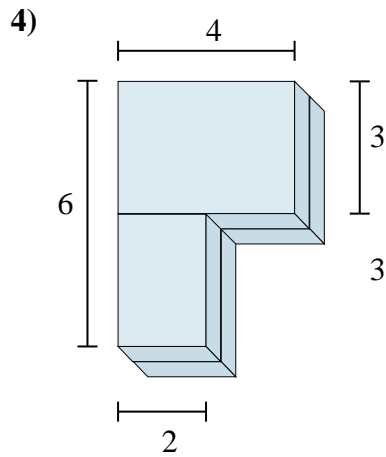
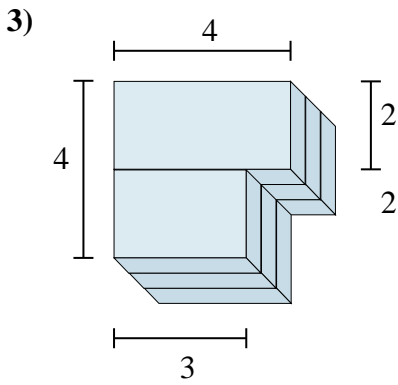
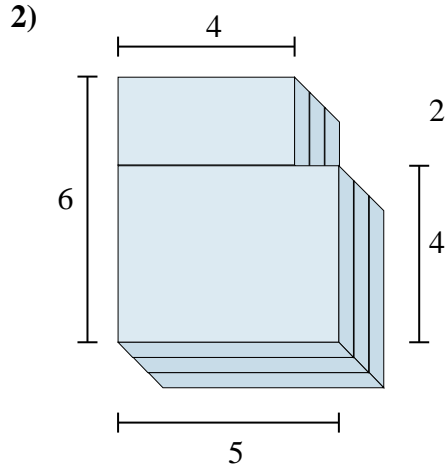
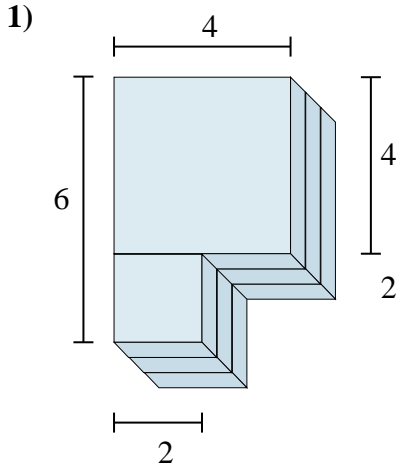
5. 32 cm³

6. 32 cm³



Find the total volume of each figure shown. Measured in cm (not to scale).

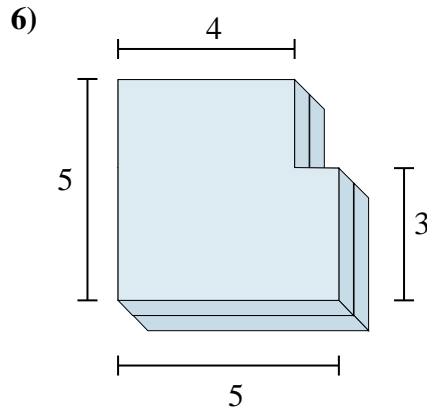
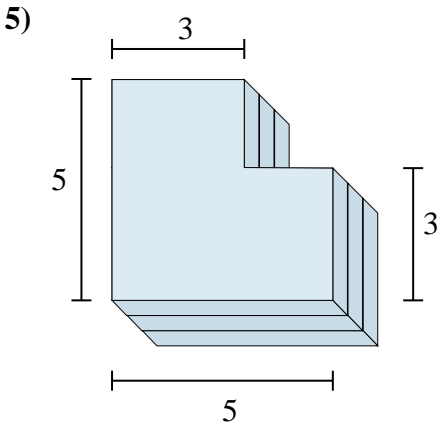
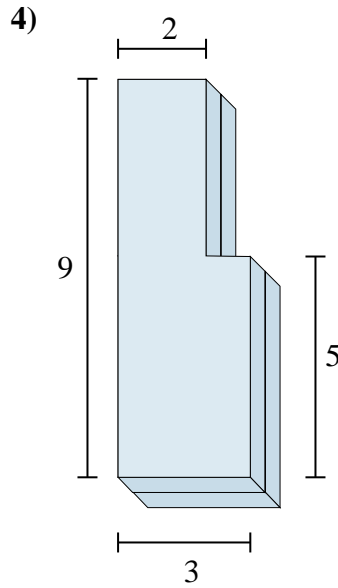
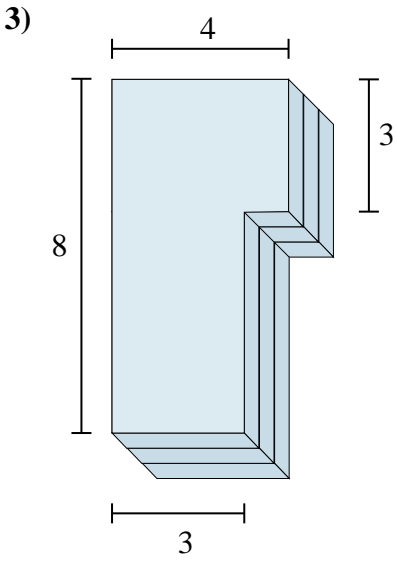
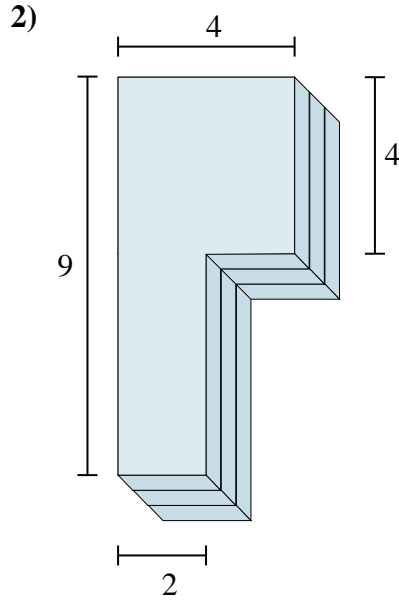
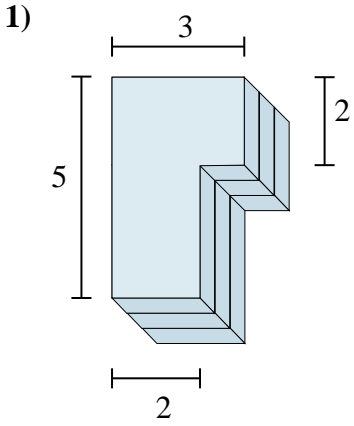
Answers



- 1. _____
- 2. _____
- 3. _____
- 4. _____
- 5. _____
- 6. _____



Find the total volume of each figure shown. Measured in cm (not to scale).



Answers

1. _____

2. _____

3. _____

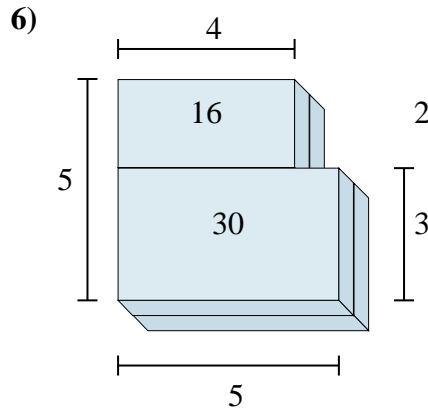
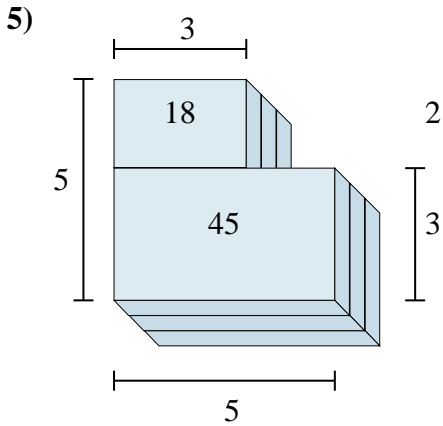
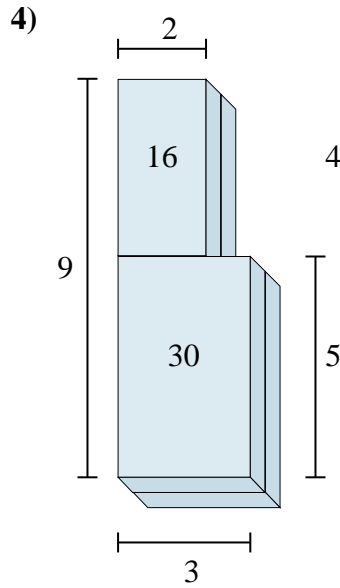
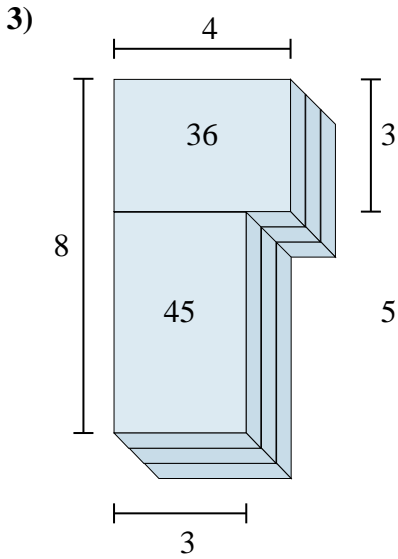
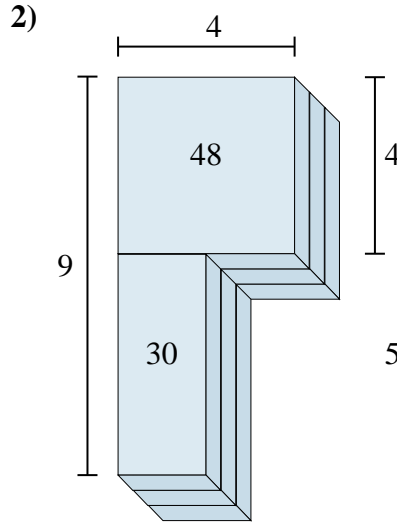
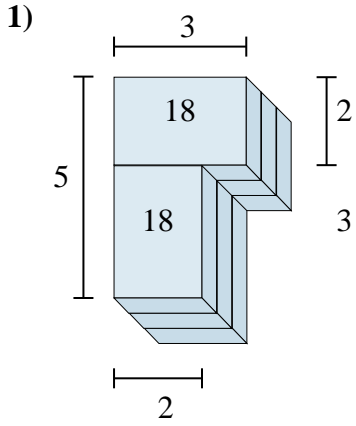
4. _____

5. _____

6. _____



Find the total volume of each figure shown. Measured in cm (not to scale).



Answers

1. 36 cm³

2. 78 cm³

3. 81 cm³

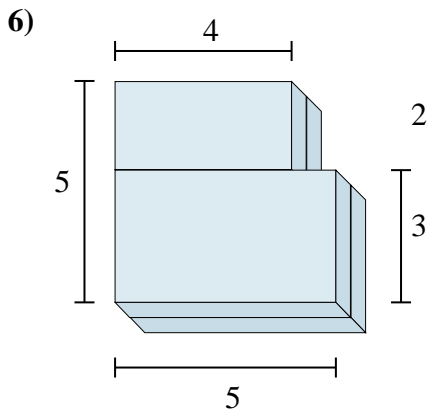
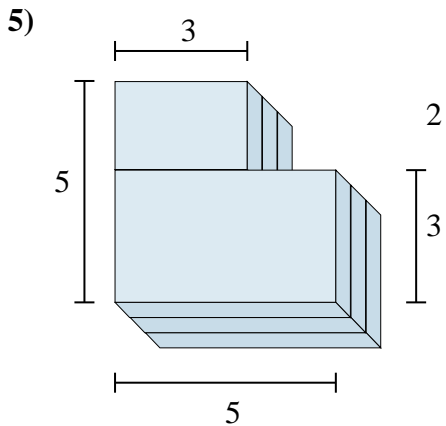
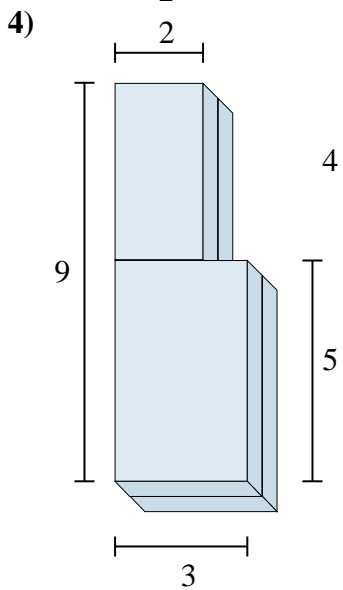
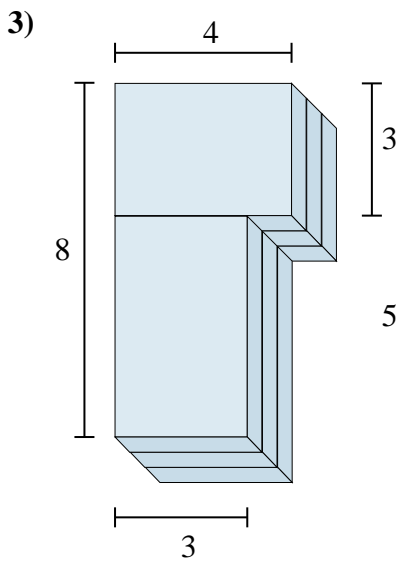
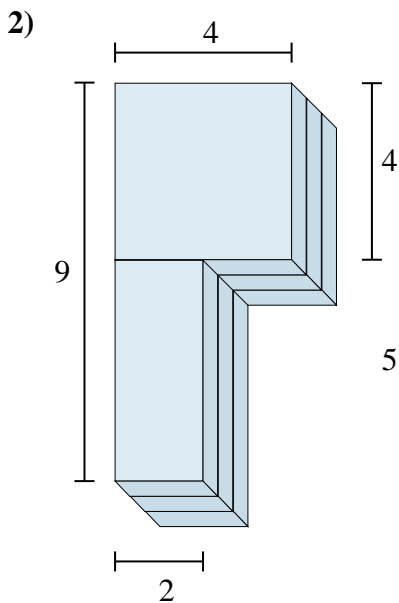
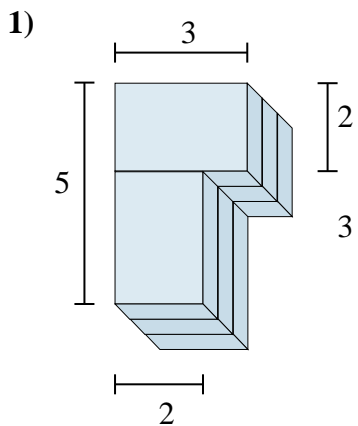
4. 46 cm³

5. 63 cm³

6. 46 cm³



Find the total volume of each figure shown. Measured in cm (not to scale).



Answers

1. _____

2. _____

3. _____

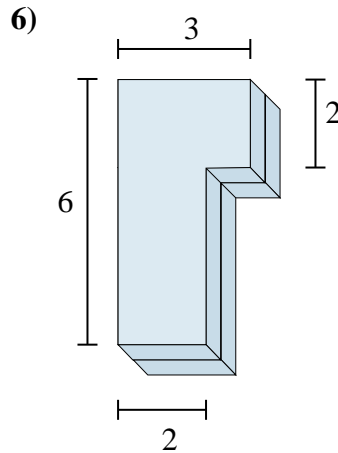
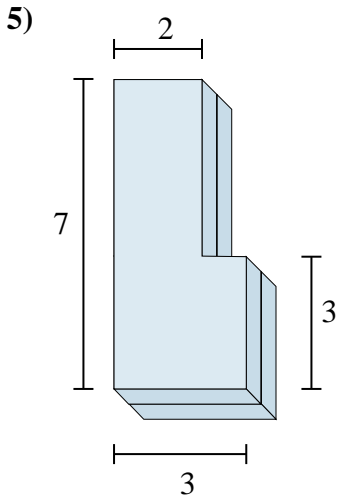
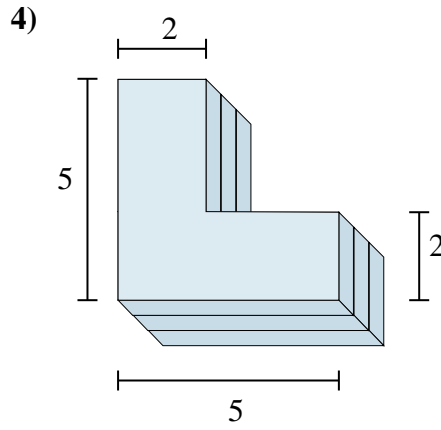
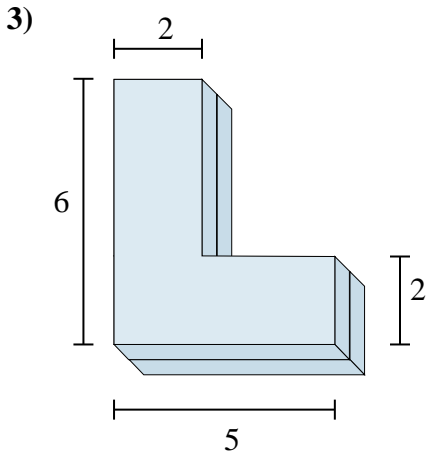
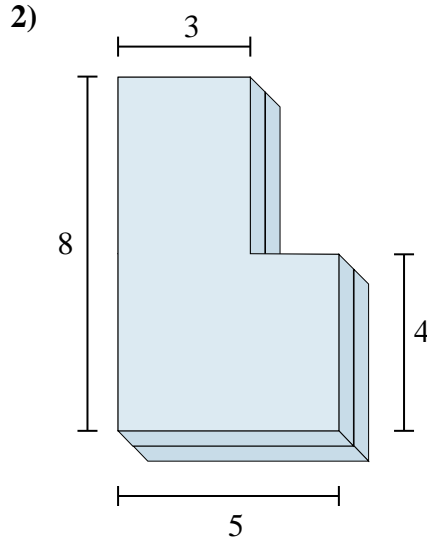
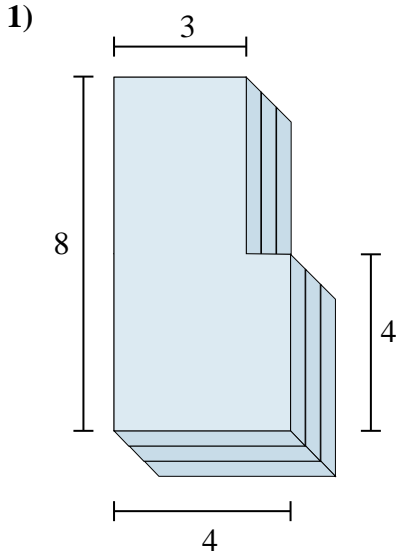
4. _____

5. _____

6. _____



Find the total volume of each figure shown. Measured in cm (not to scale).



Answers

1. _____

2. _____

3. _____

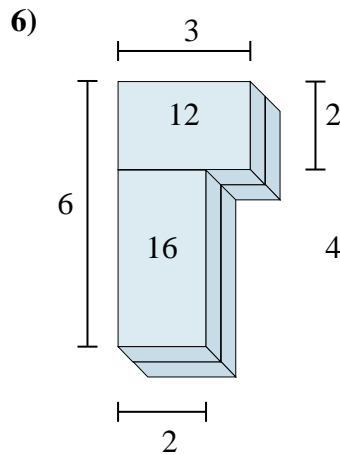
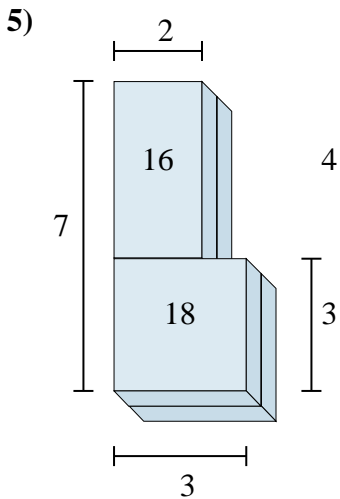
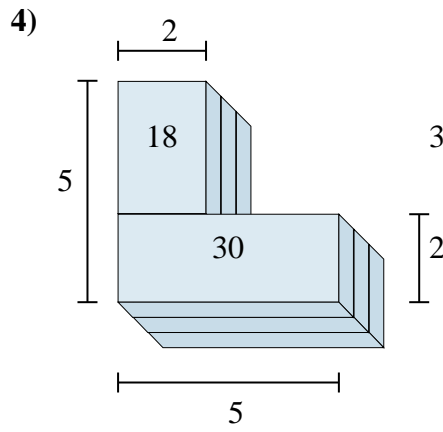
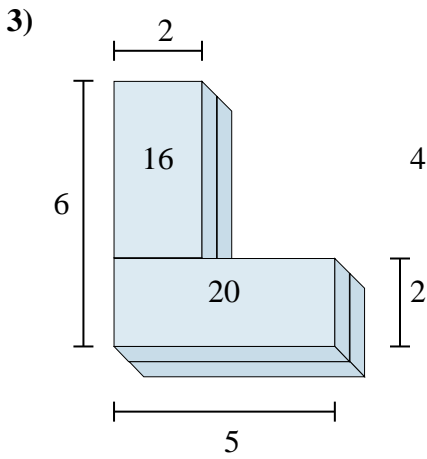
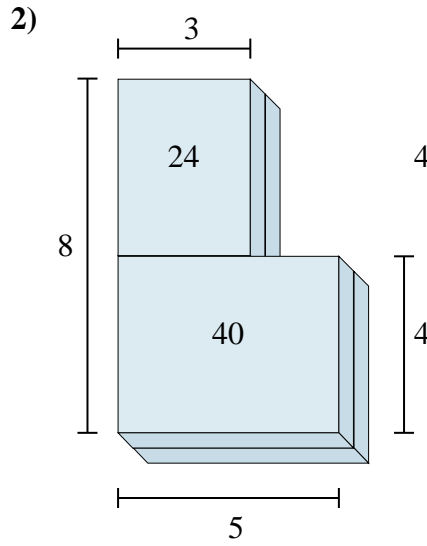
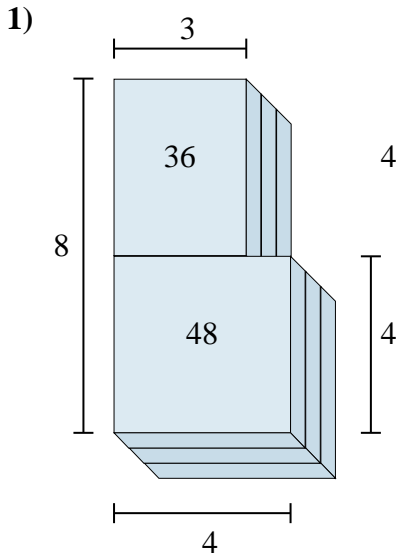
4. _____

5. _____

6. _____



Find the total volume of each figure shown. Measured in cm (not to scale).



Answers

1. 84 cm³

2. 64 cm³

3. 36 cm³

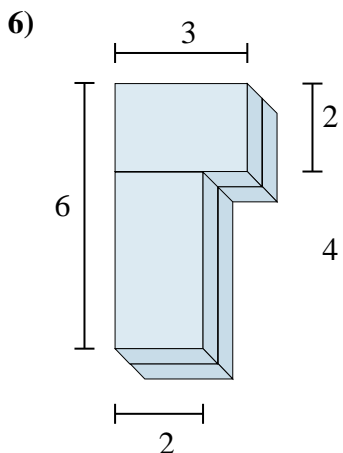
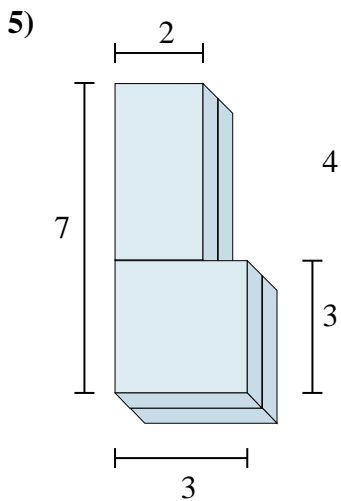
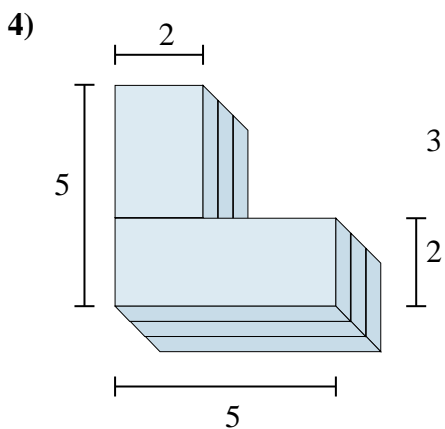
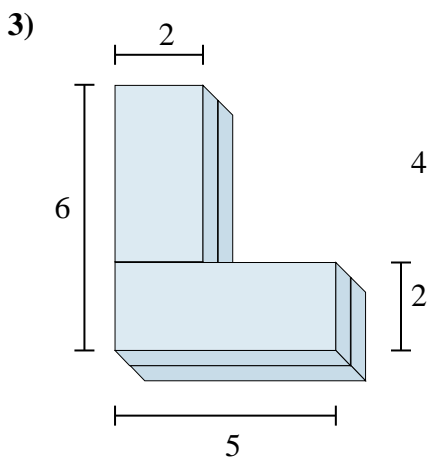
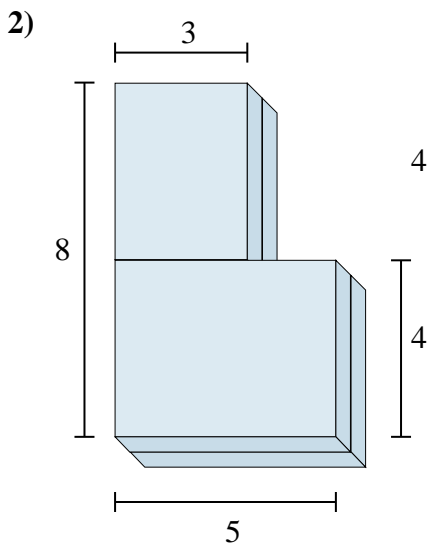
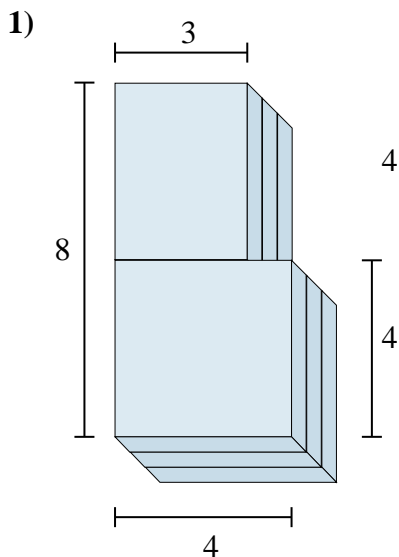
4. 48 cm³

5. 34 cm³

6. 28 cm³



Find the total volume of each figure shown. Measured in cm (not to scale).



Answers

1. _____

2. _____

3. _____

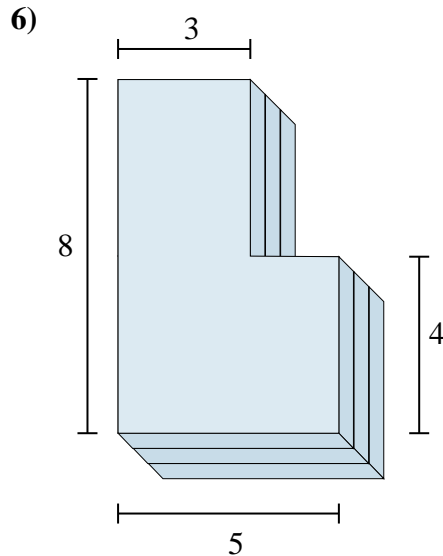
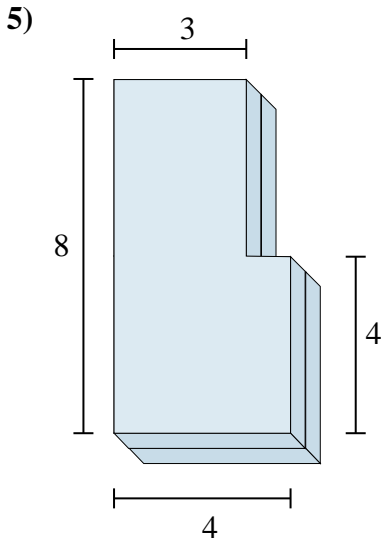
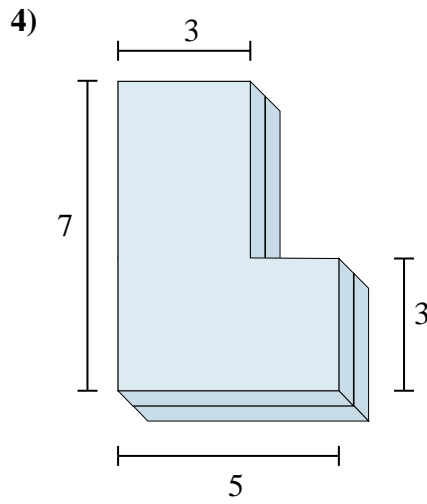
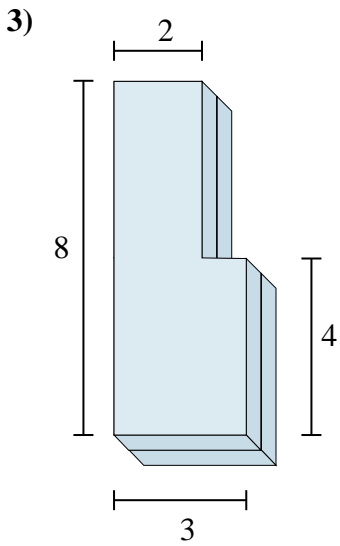
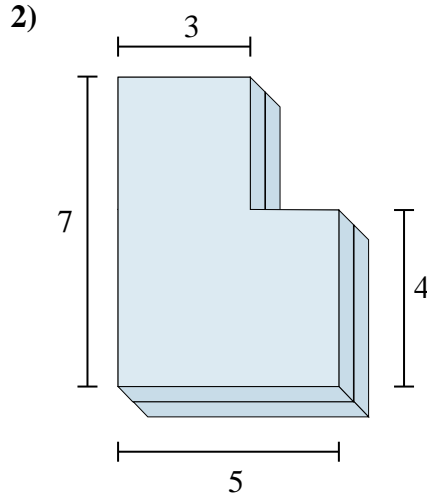
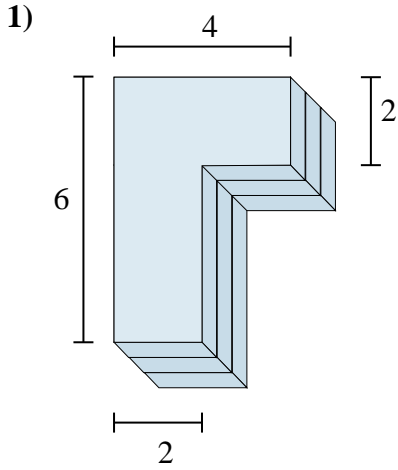
4. _____

5. _____

6. _____



Find the total volume of each figure shown. Measured in cm (not to scale).



Answers

1. _____

2. _____

3. _____

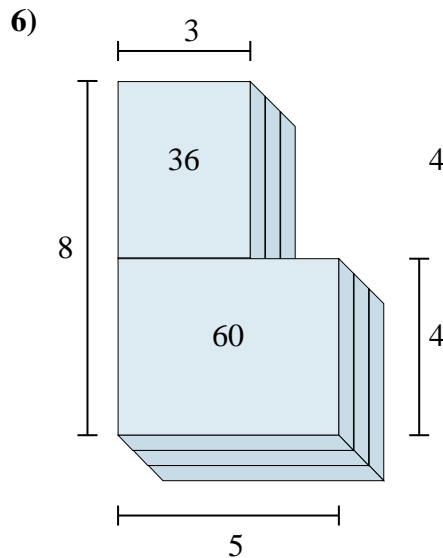
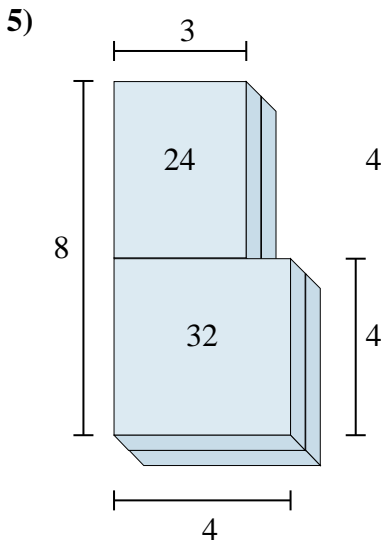
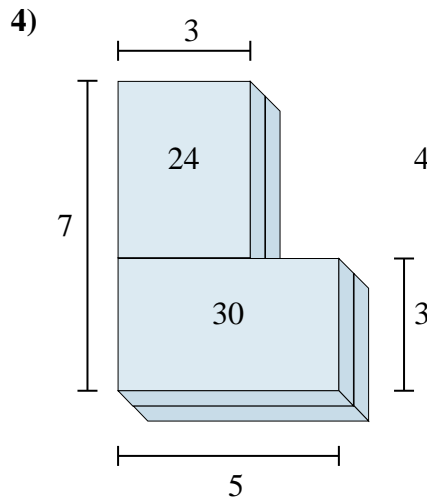
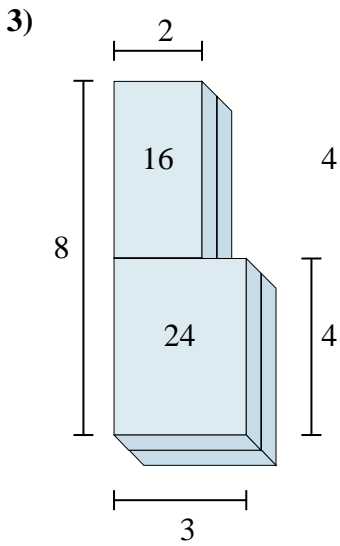
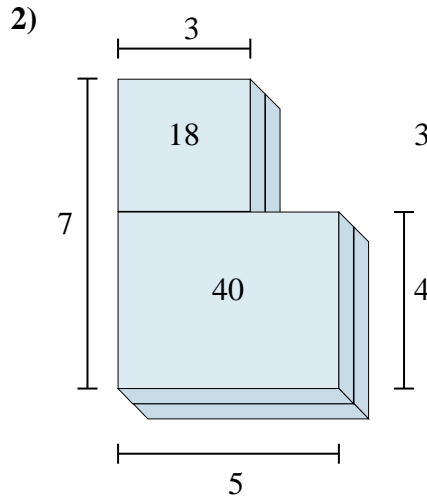
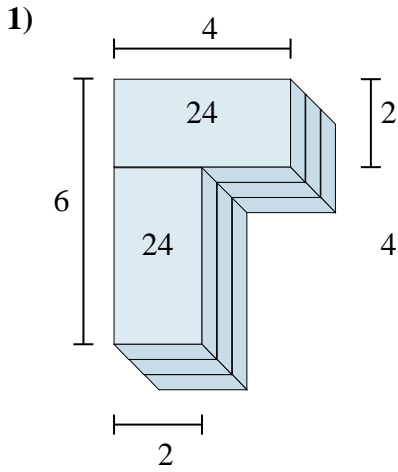
4. _____

5. _____

6. _____



Find the total volume of each figure shown. Measured in cm (not to scale).



Answers

1. **48 cm³**

2. **58 cm³**

3. **40 cm³**

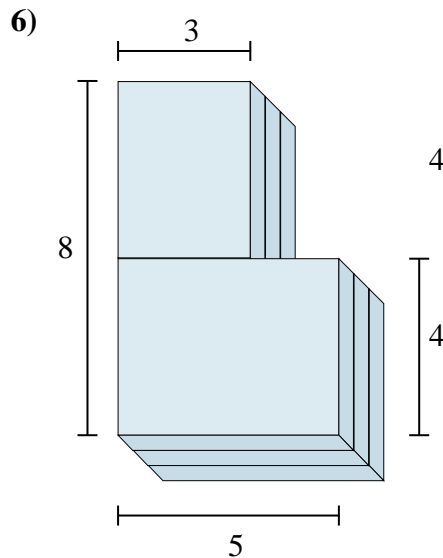
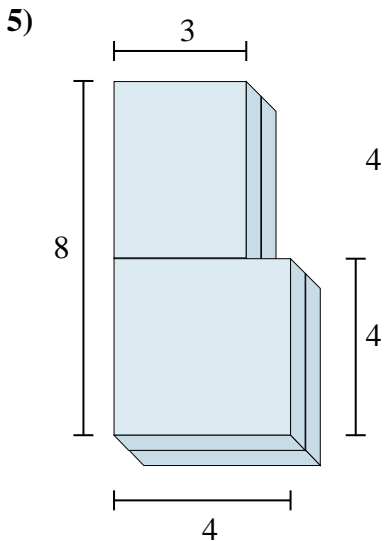
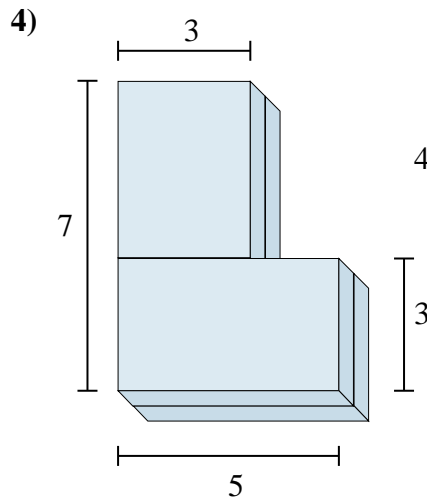
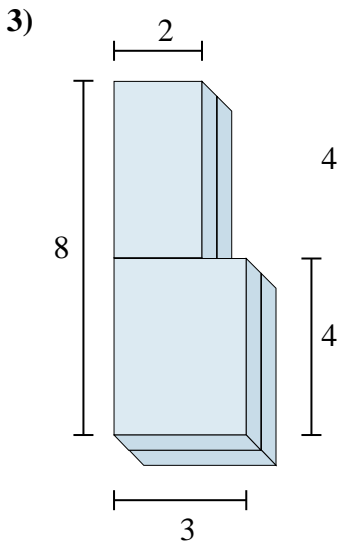
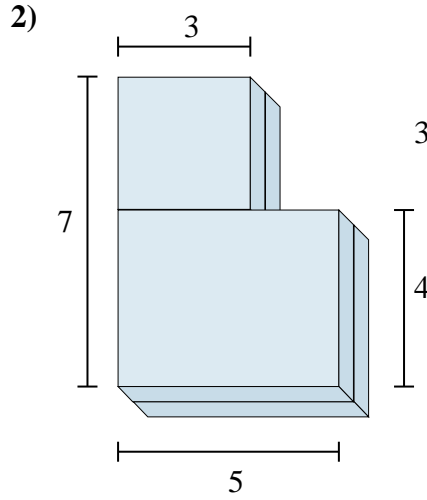
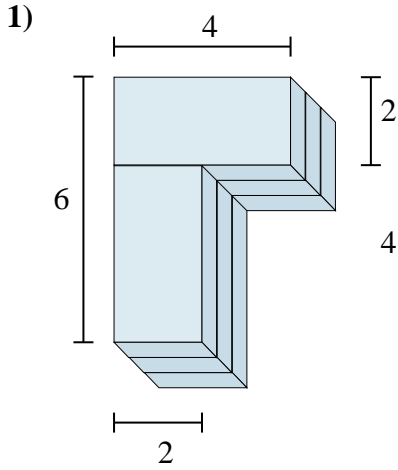
4. **54 cm³**

5. **56 cm³**

6. **96 cm³**



Find the total volume of each figure shown. Measured in cm (not to scale).



Answers

1. _____

2. _____

3. _____

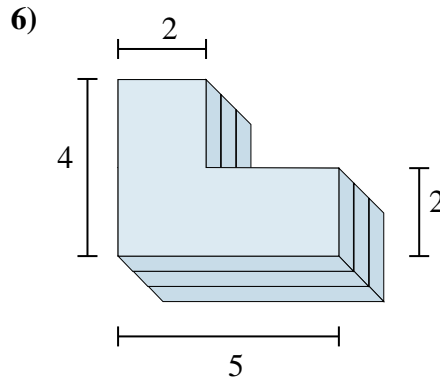
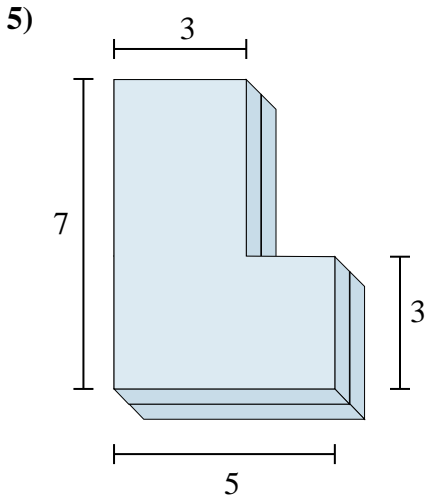
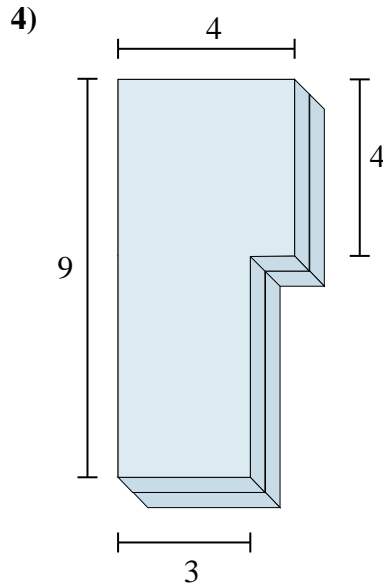
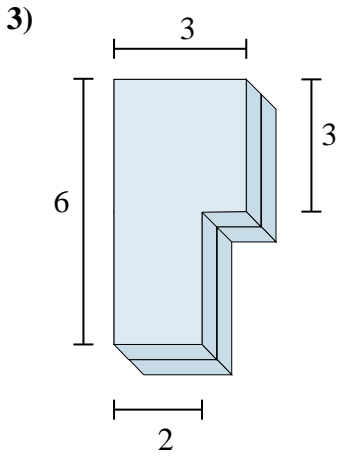
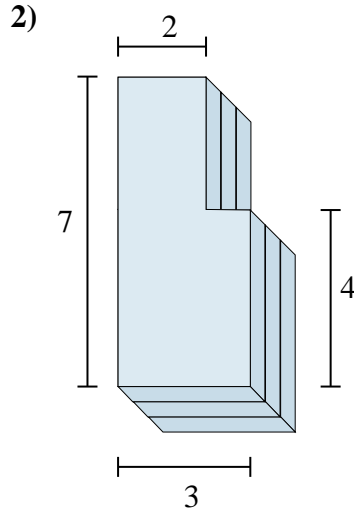
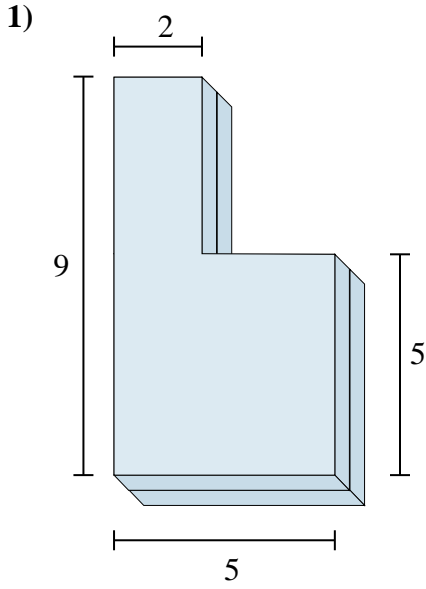
4. _____

5. _____

6. _____



Find the total volume of each figure shown. Measured in cm (not to scale).



Answers

1. _____

2. _____

3. _____

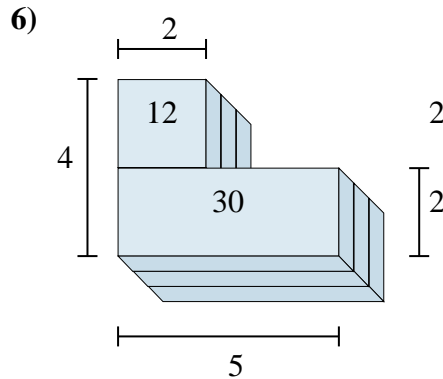
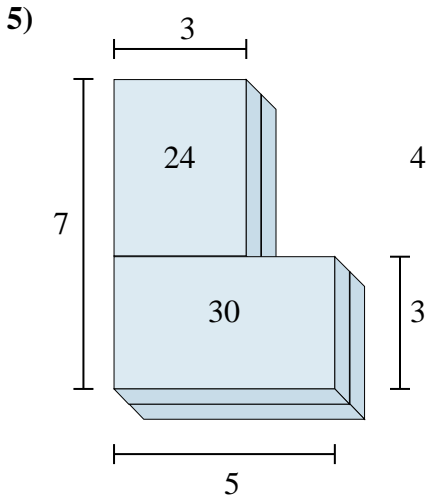
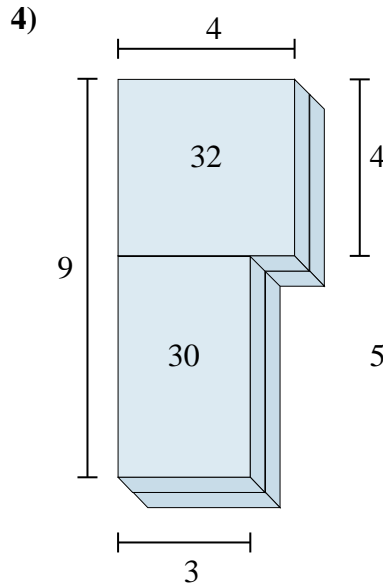
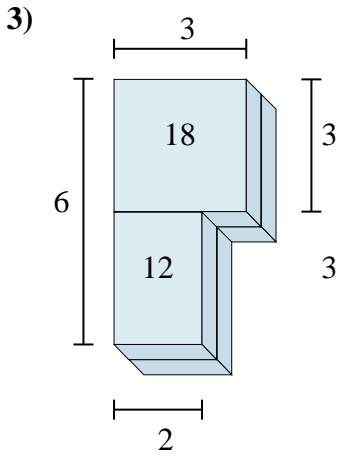
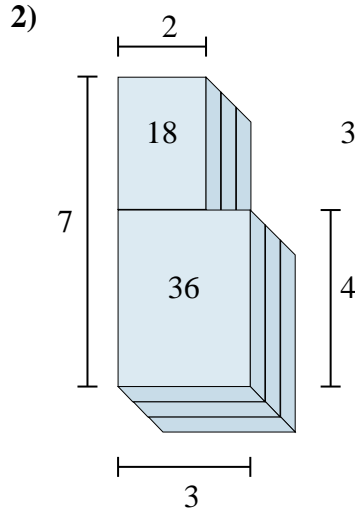
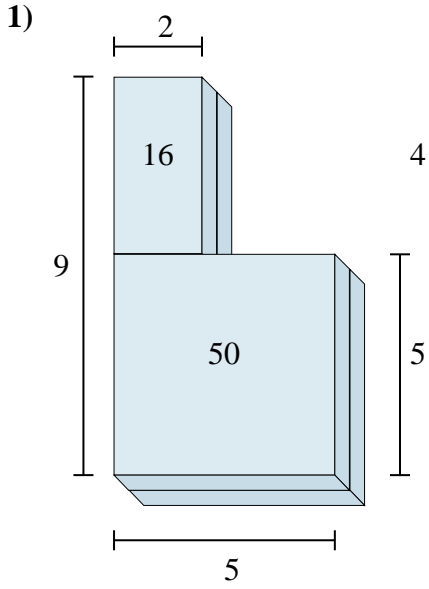
4. _____

5. _____

6. _____



Find the total volume of each figure shown. Measured in cm (not to scale).



Answers

1. 66 cm³

2. 54 cm³

3. 30 cm³

4. 62 cm³

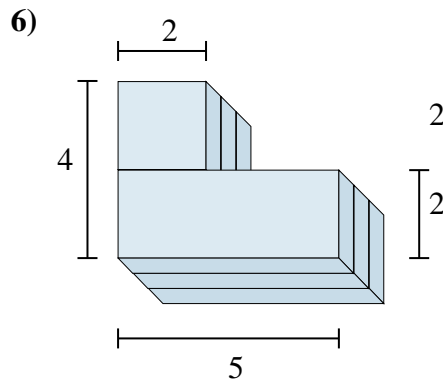
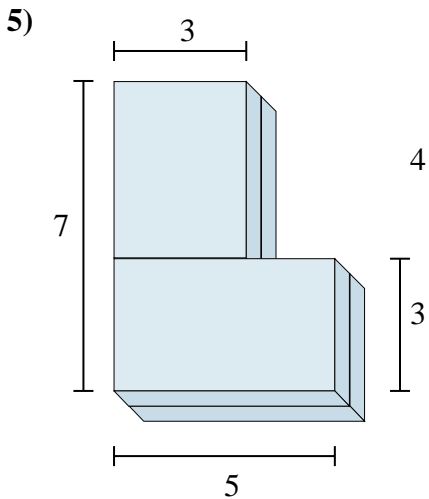
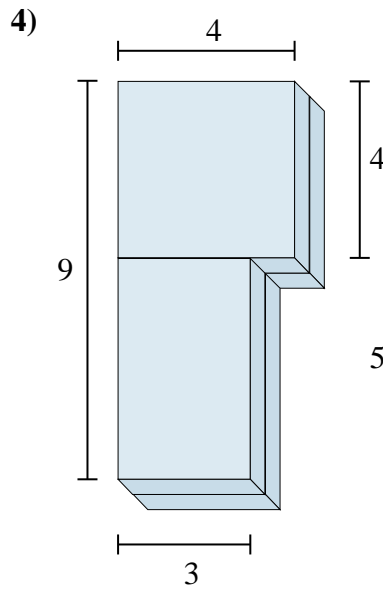
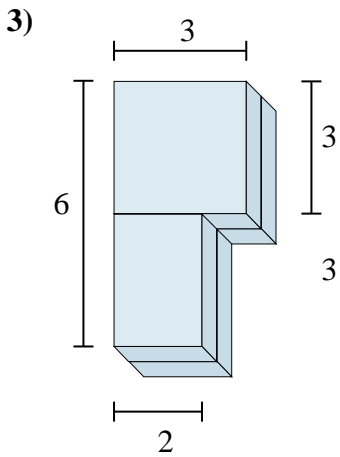
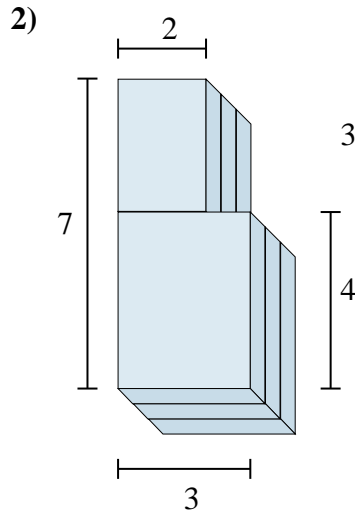
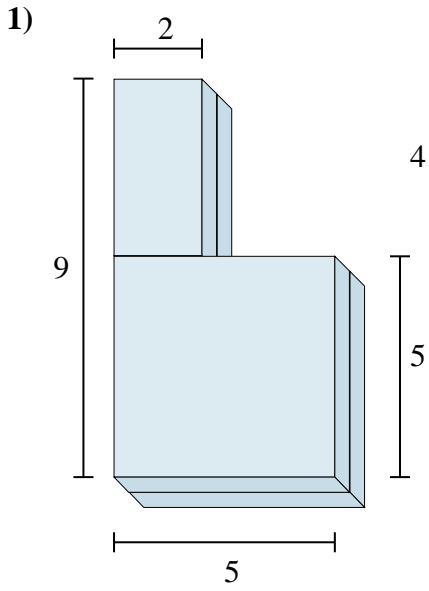
5. 54 cm³

6. 42 cm³



Find the total volume of each figure shown. Measured in cm (not to scale).

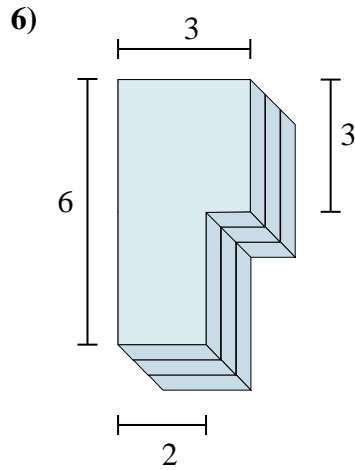
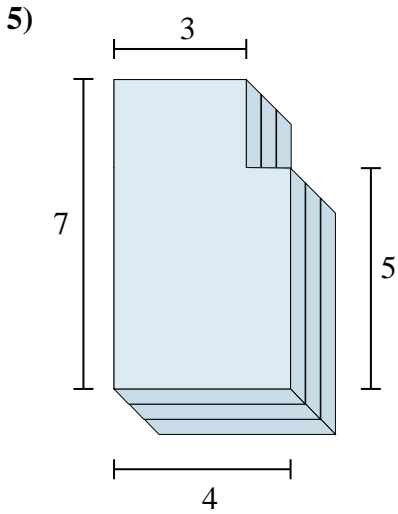
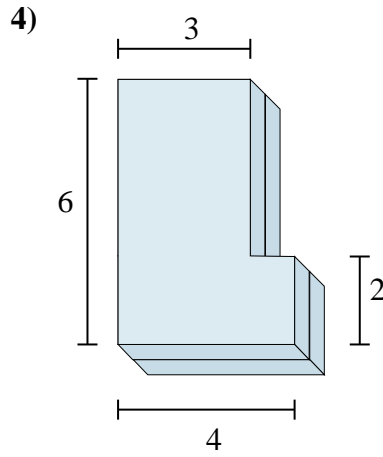
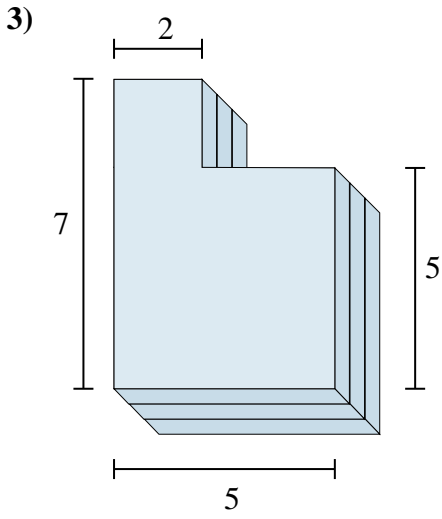
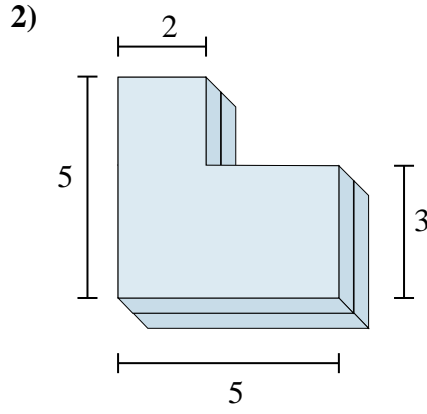
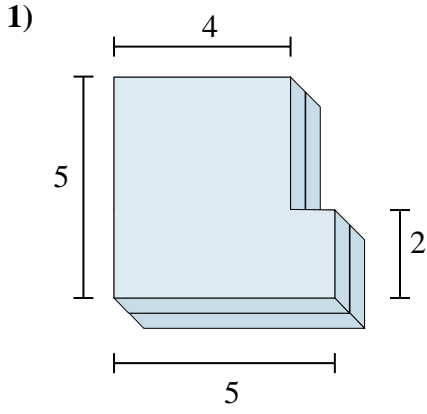
Answers



1. _____
2. _____
3. _____
4. _____
5. _____
6. _____



Find the total volume of each figure shown. Measured in cm (not to scale).



Answers

1. _____

2. _____

3. _____

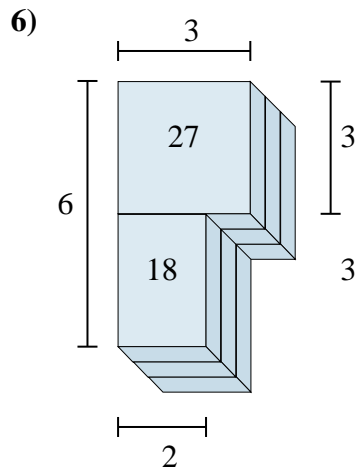
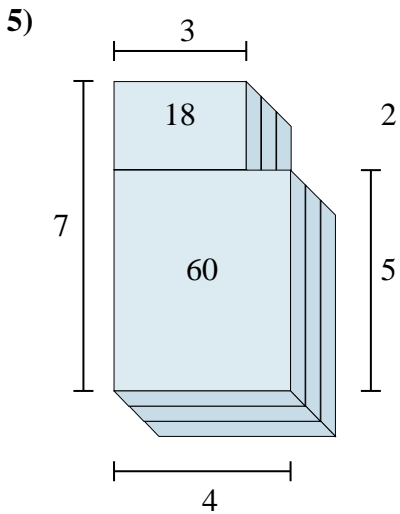
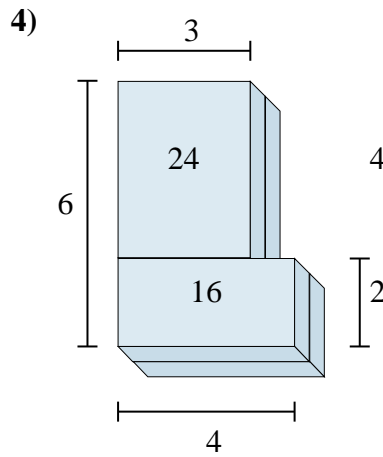
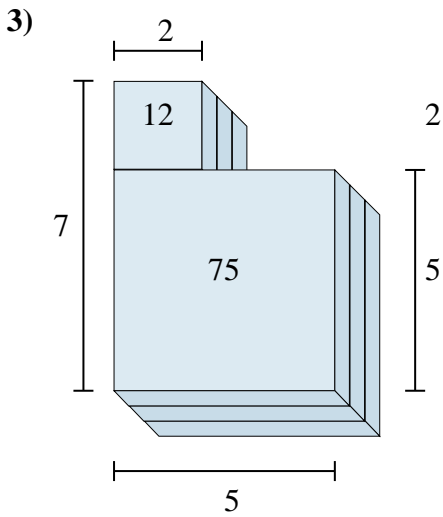
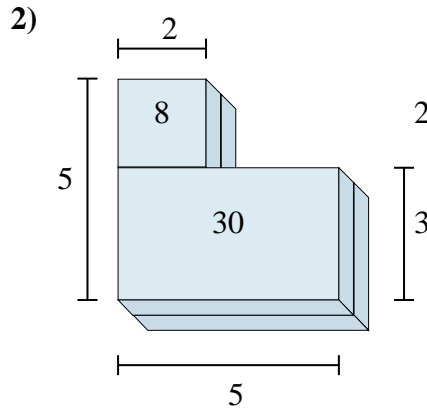
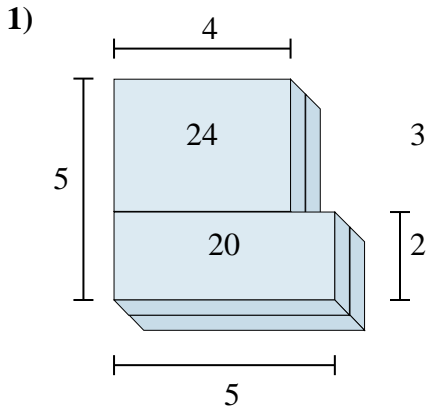
4. _____

5. _____

6. _____



Find the total volume of each figure shown. Measured in cm (not to scale).



Answers

1. 44 cm³

2. 38 cm³

3. 87 cm³

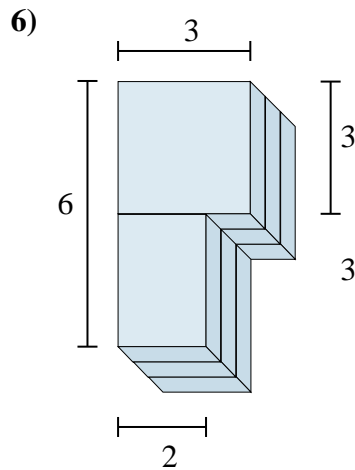
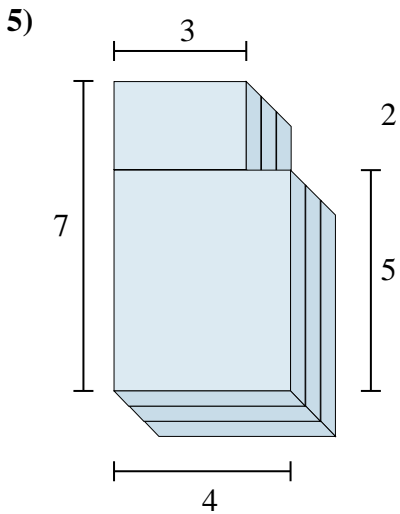
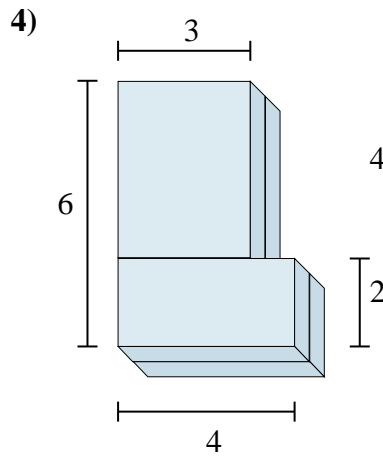
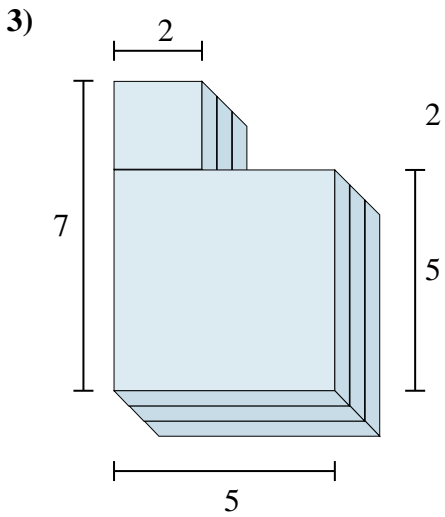
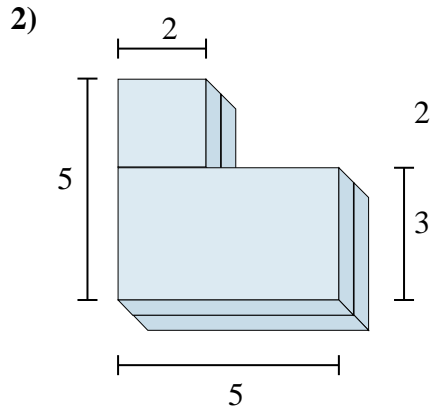
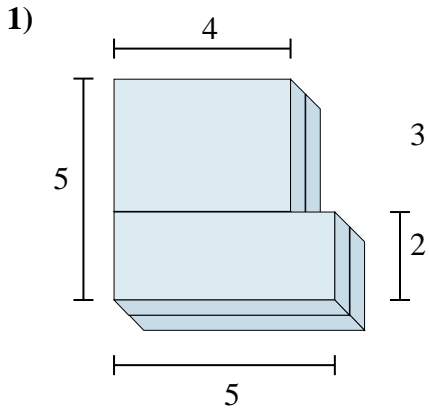
4. 40 cm³

5. 78 cm³

6. 45 cm³



Find the total volume of each figure shown. Measured in cm (not to scale).



Answers

1. _____

2. _____

3. _____

4. _____

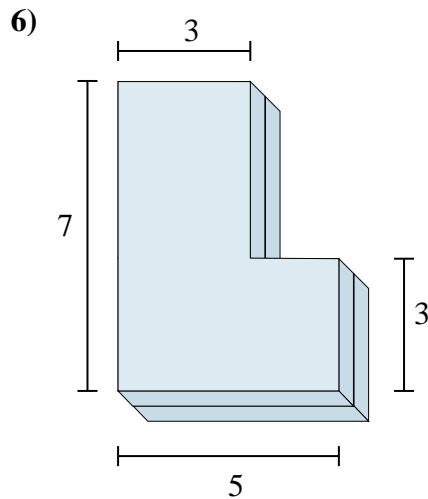
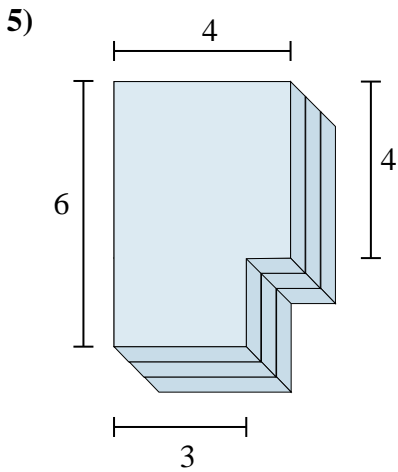
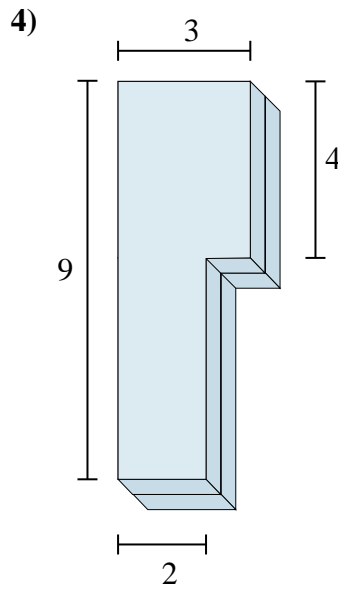
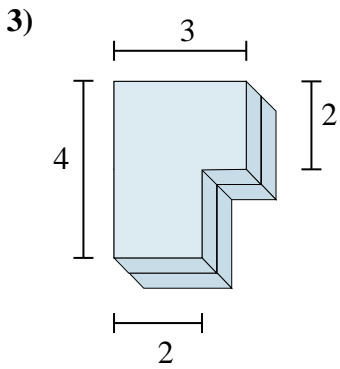
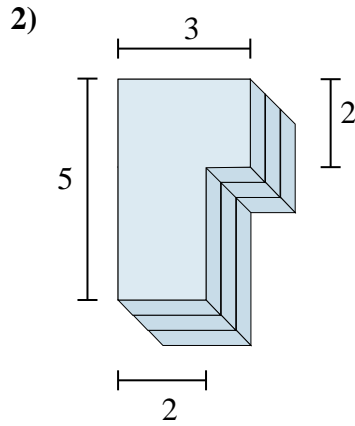
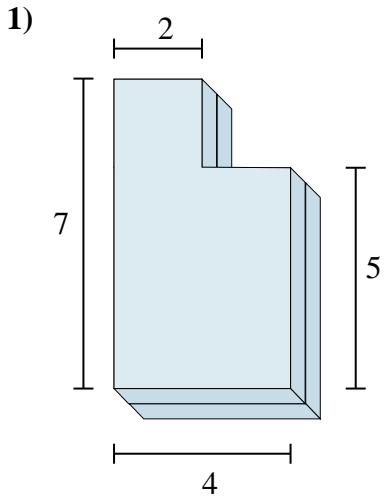
5. _____

6. _____



Find the total volume of each figure shown. Measured in cm (not to scale).

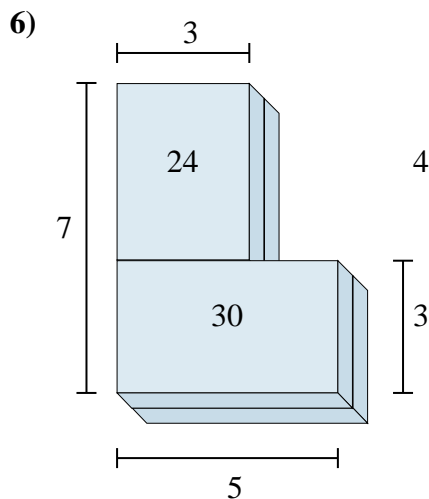
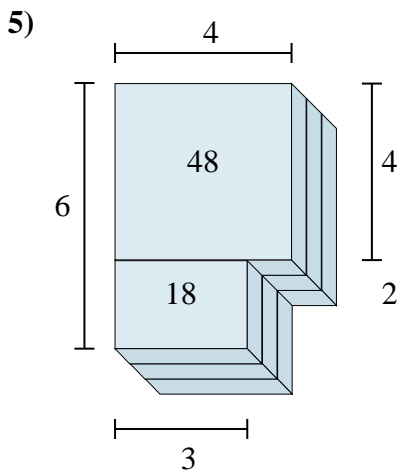
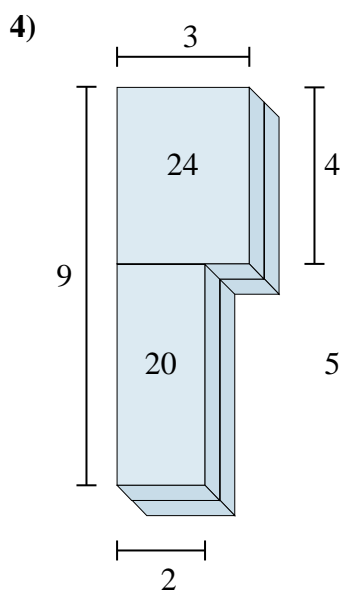
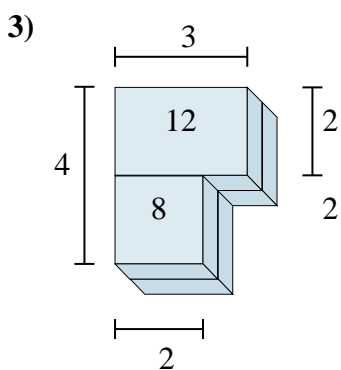
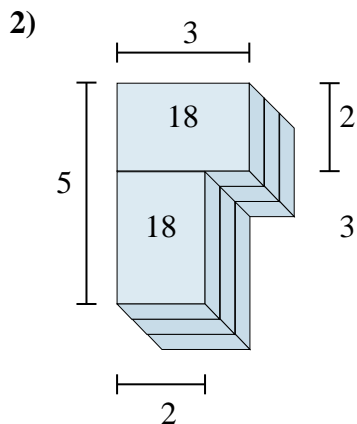
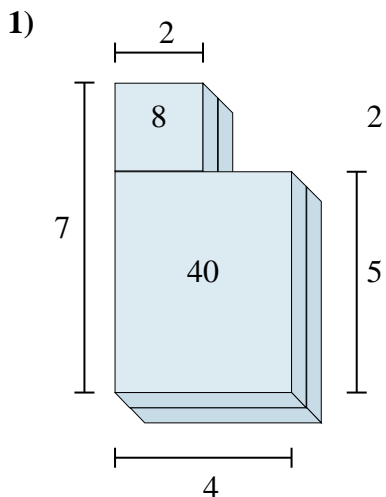
Answers



1. _____
2. _____
3. _____
4. _____
5. _____
6. _____



Find the total volume of each figure shown. Measured in cm (not to scale).

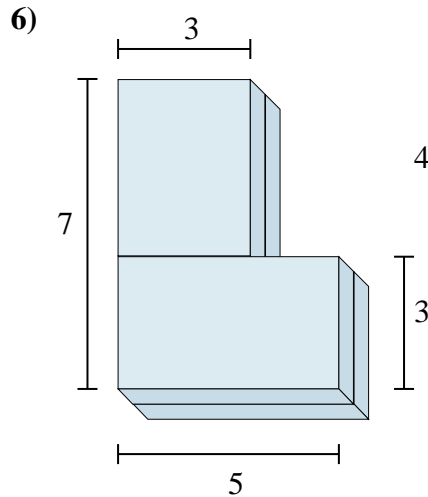
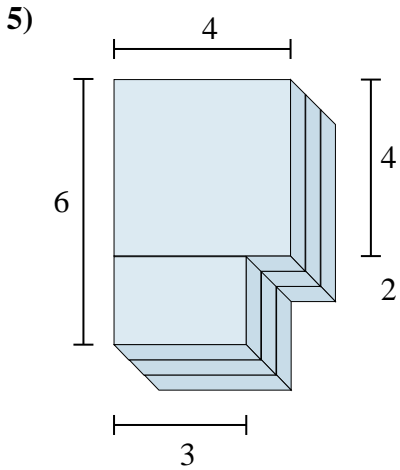
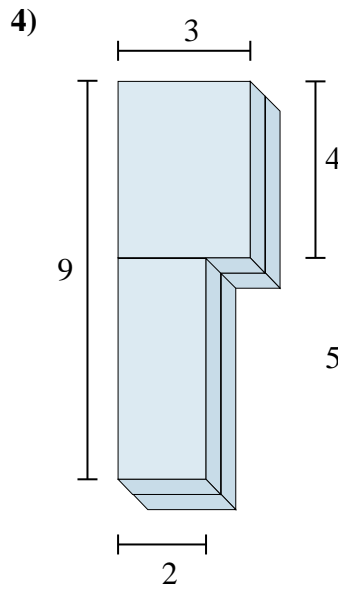
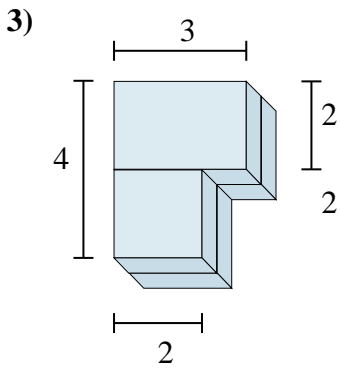
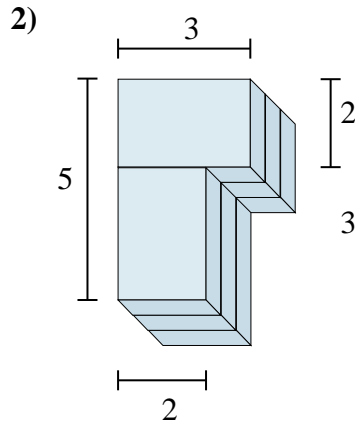
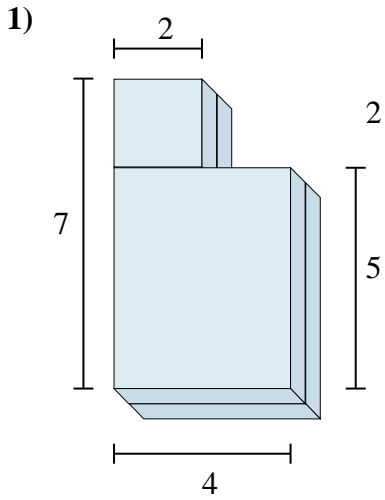


Answers

1. 48 cm³
2. 36 cm³
3. 20 cm³
4. 44 cm³
5. 66 cm³
6. 54 cm³



Find the total volume of each figure shown. Measured in cm (not to scale).



Answers

1. _____

2. _____

3. _____

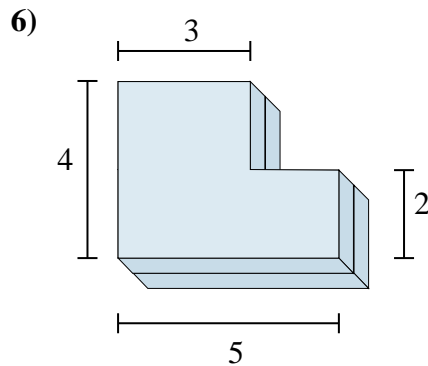
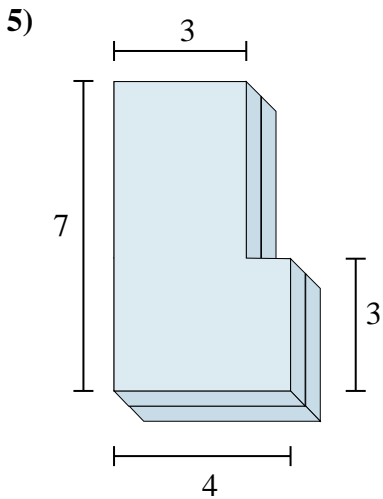
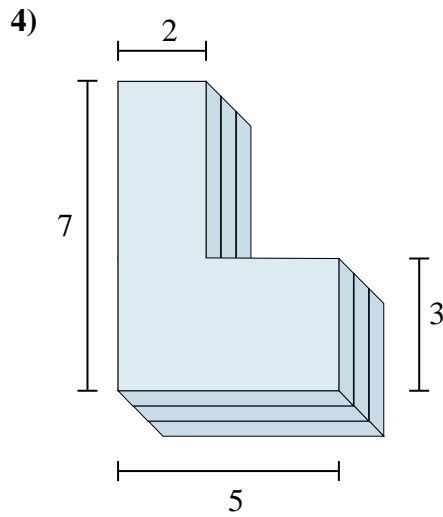
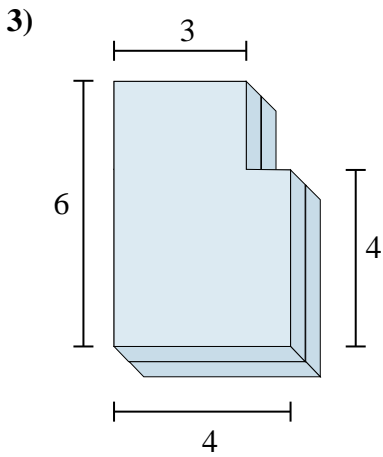
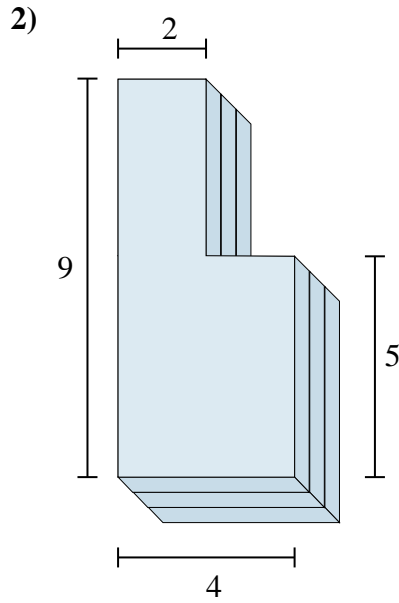
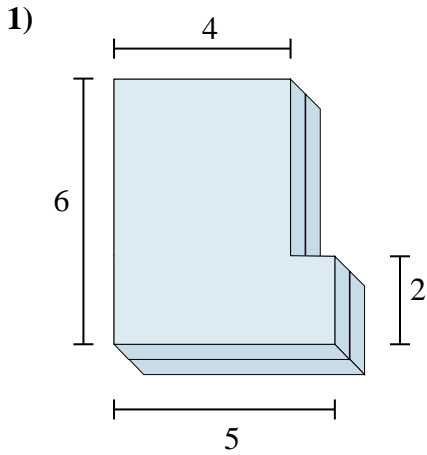
4. _____

5. _____

6. _____



Find the total volume of each figure shown. Measured in cm (not to scale).

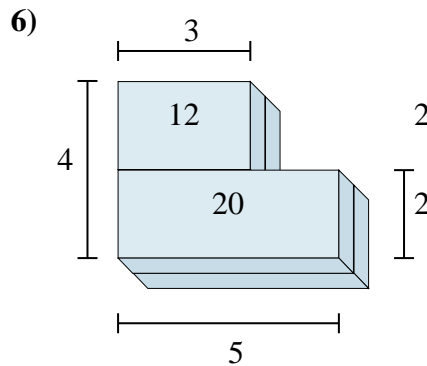
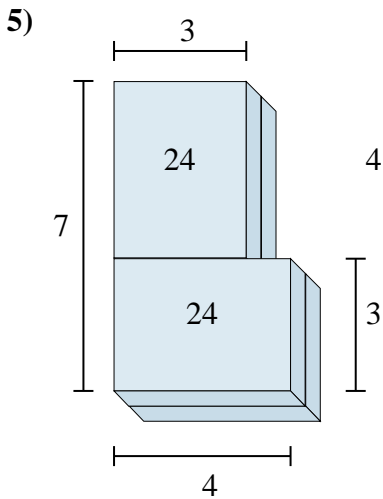
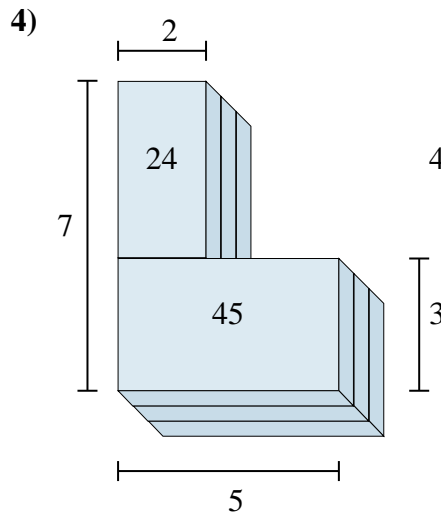
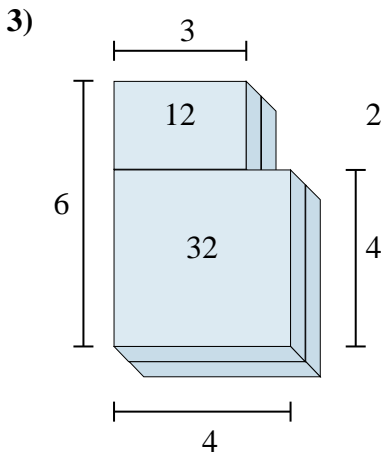
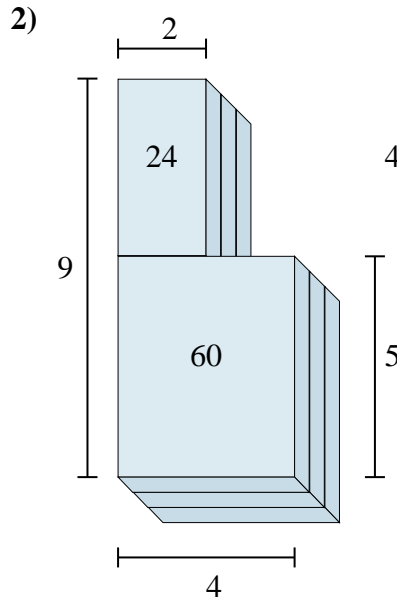
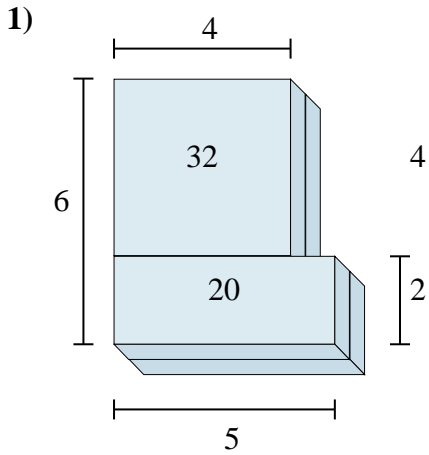


Answers

- 1. _____
- 2. _____
- 3. _____
- 4. _____
- 5. _____
- 6. _____



Find the total volume of each figure shown. Measured in cm (not to scale).



Answers

1. 52 cm³

2. 84 cm³

3. 44 cm³

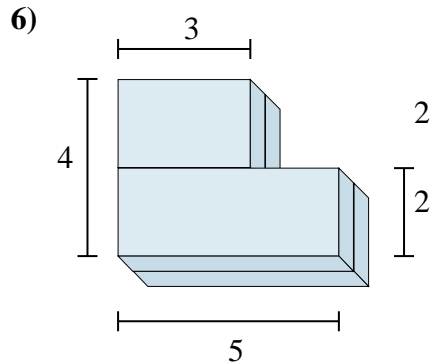
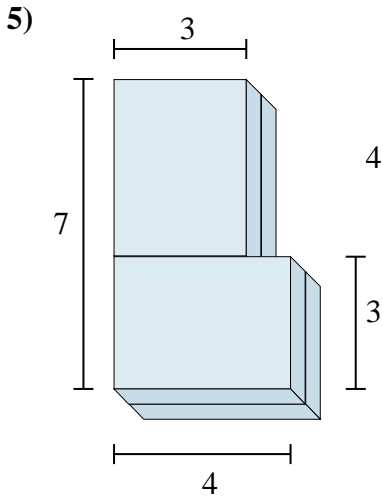
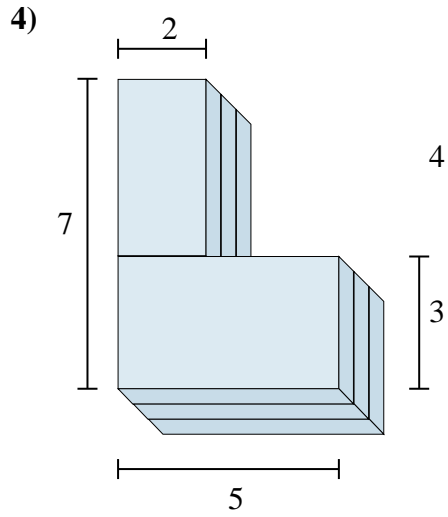
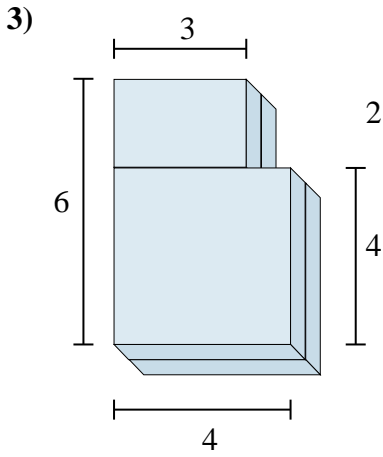
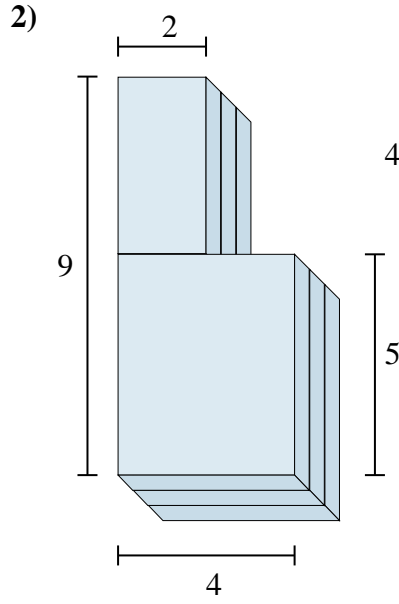
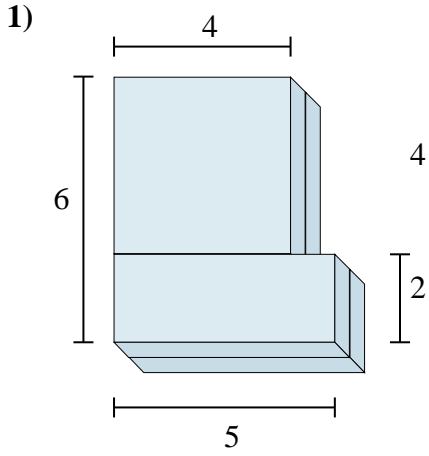
4. 69 cm³

5. 48 cm³

6. 32 cm³



Find the total volume of each figure shown. Measured in cm (not to scale).



Answers

1. _____

2. _____

3. _____

4. _____

5. _____

6. _____