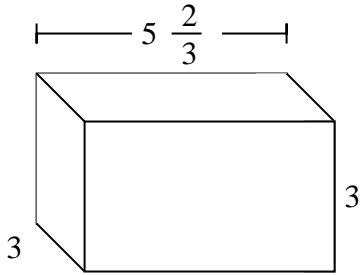


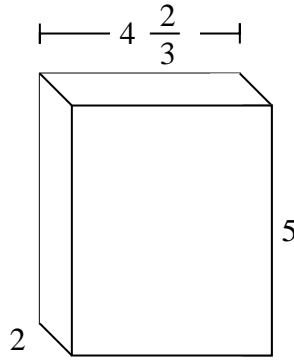


Fill each rectangular prism with cubes to determine the volume. Each prism's unit is measured in cm (not to scale).

Ex)



1)

Ex. **51 cm**

1. \_\_\_\_\_

2. \_\_\_\_\_

3. \_\_\_\_\_

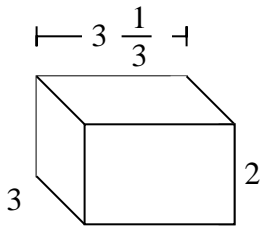
4. \_\_\_\_\_

5. \_\_\_\_\_

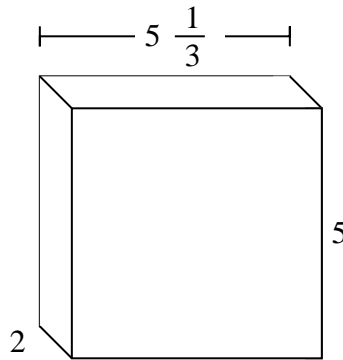
6. \_\_\_\_\_

7. \_\_\_\_\_

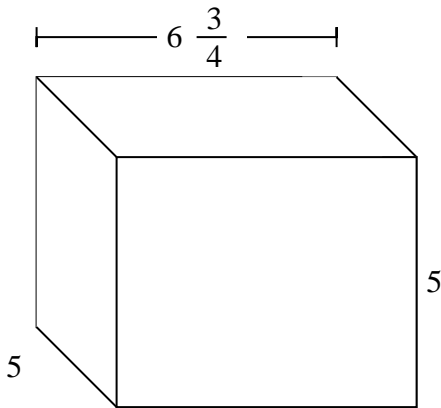
2)



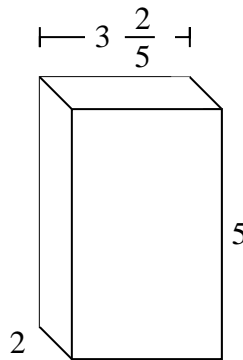
3)



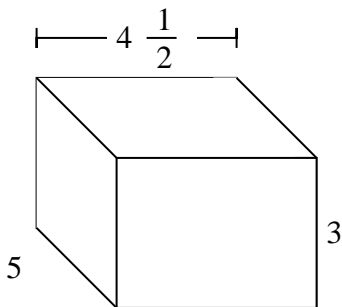
4)



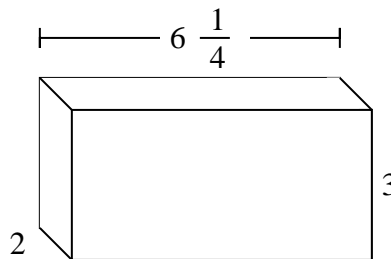
5)



6)



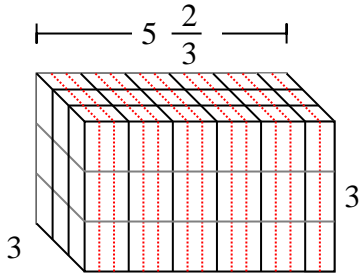
7)



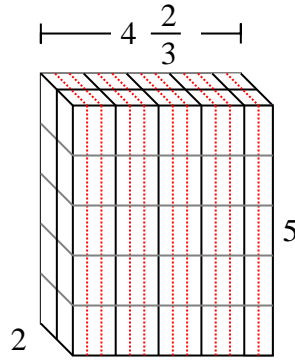


Fill each rectangular prism with cubes to determine the volume. Each prism's unit is measured in cm (not to scale).

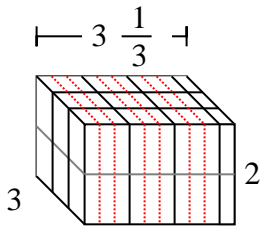
Ex)



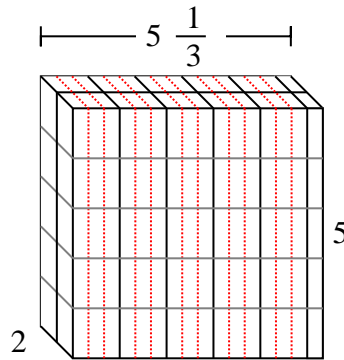
1)

Ex. 51 cm

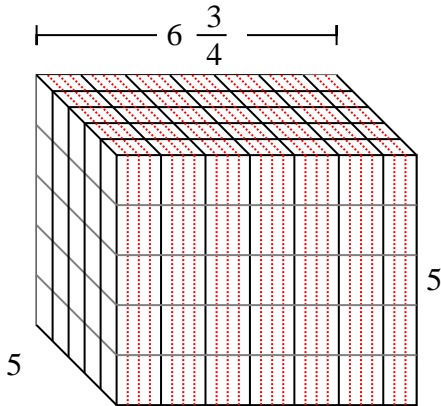
2)



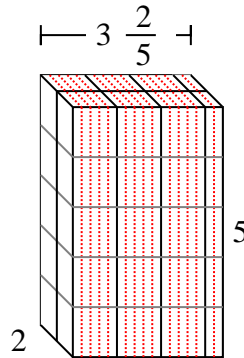
3)

1. 46 2/3 cm2. 20 cm3. 53 1/3 cm4. 168 3/4 cm5. 34 cm6. 67 1/2 cm7. 37 2/4 cm

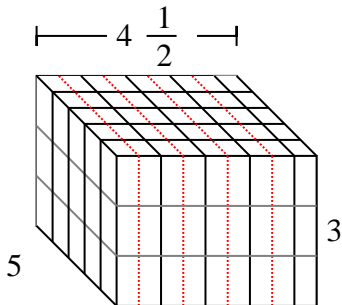
4)



5)



6)



7)

