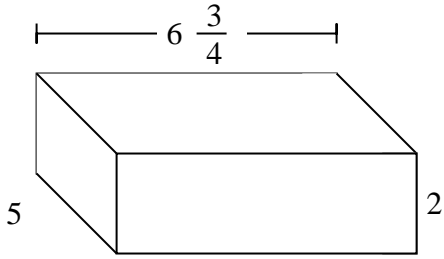


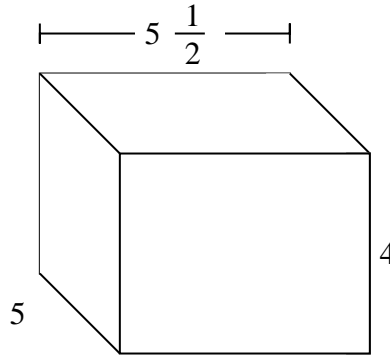


Fill each rectangular prism with cubes to determine the volume. Each prism's unit is measured in cm (not to scale).

Ex)



1)

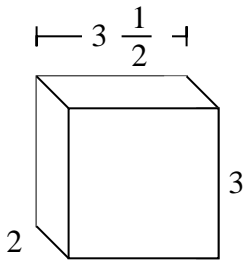


Answers

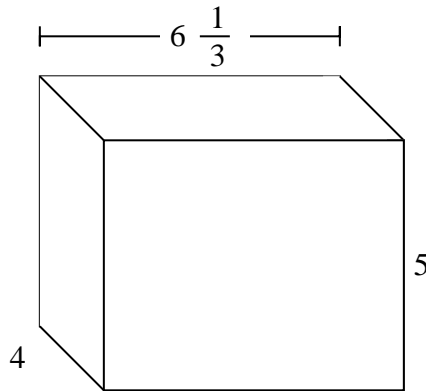
Ex.  $67 \frac{2}{4}$  cm

- 1. \_\_\_\_\_
- 2. \_\_\_\_\_
- 3. \_\_\_\_\_
- 4. \_\_\_\_\_
- 5. \_\_\_\_\_
- 6. \_\_\_\_\_
- 7. \_\_\_\_\_

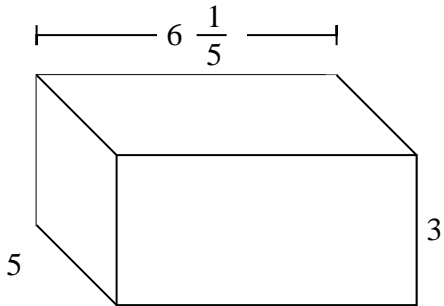
2)



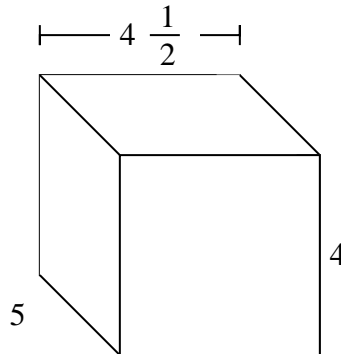
3)



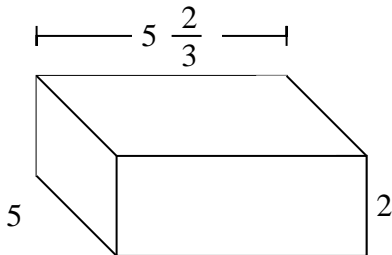
4)



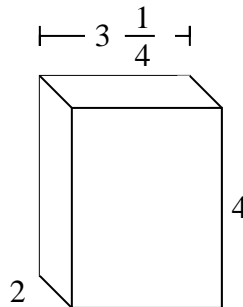
5)



6)



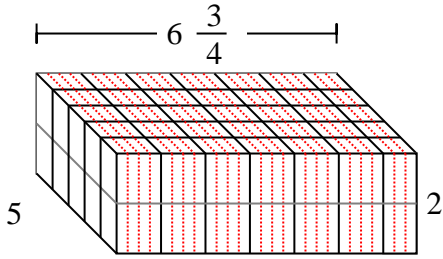
7)



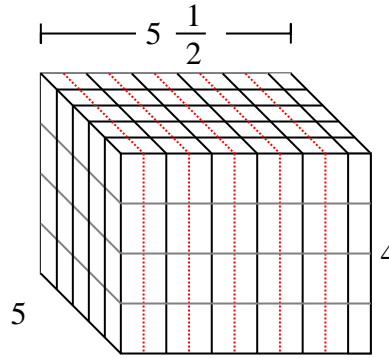


Fill each rectangular prism with cubes to determine the volume. Each prism's unit is measured in cm (not to scale).

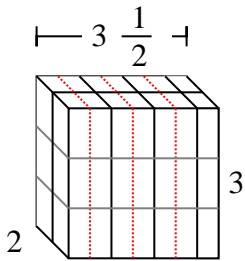
Ex)



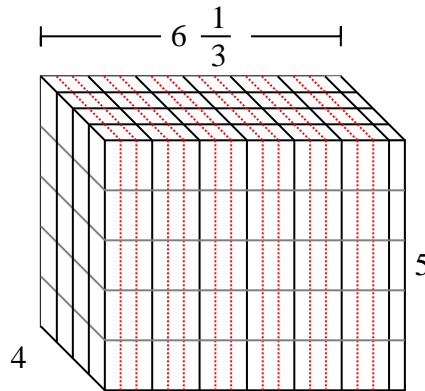
1)

Ex.  $67 \frac{2}{4}$  cm1.  $110$  cm2.  $21$  cm3.  $126 \frac{2}{3}$  cm4.  $93$  cm5.  $90$  cm6.  $56 \frac{2}{3}$  cm7.  $26$  cm

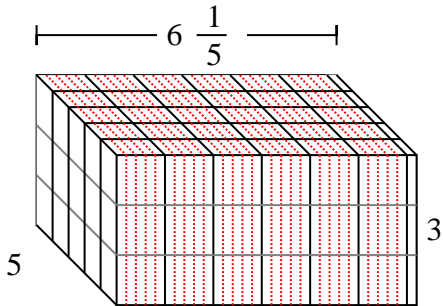
2)



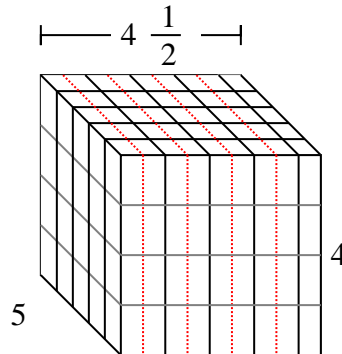
3)



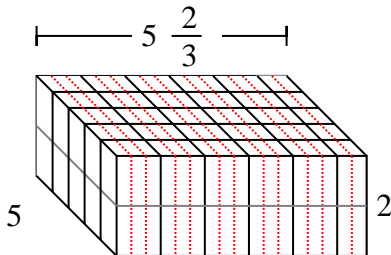
4)



5)



6)



7)

